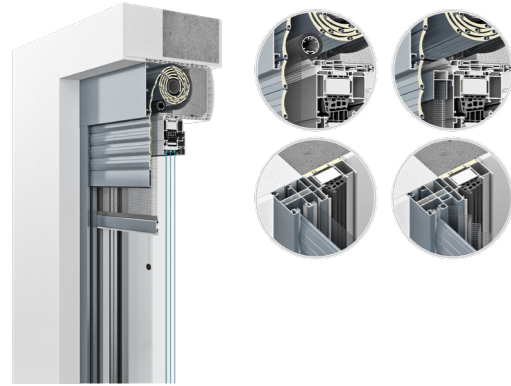


CHECK OTHER SYSTEM VARIANTS

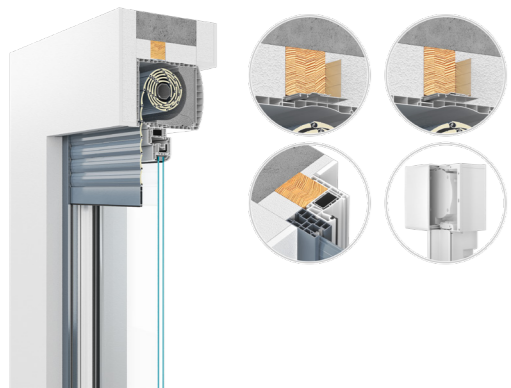
Opoterm

SKT OPOTERM NOVA



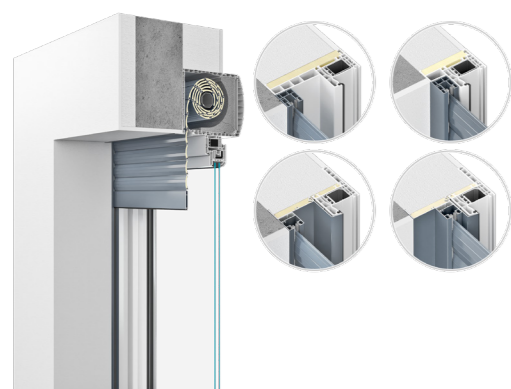
Compared to the standard version of Opoterm system, the location of the MKT integrated insect screen has changed in the NOVA variant. The MOSKITO set has been placed under the curtain of the roller shutter, which allowed to bring it closer to the window frame. Installation of this solution is very easy. Entry guides of the curtain constitute adapters for the installation of MKT with just one click, similarly as in SKB STYROTEM system. What is more, the insect screen can be inserted into the roller shutter box at any time during production or on a roller shutter box already installed on the frame. It is worth adding that a change in the location of the insect screen does not change the winding parameters of the system. The advantage of the system is also the option of installation of the end caps with just one click on the already installed roller shutter. In addition thanks to the special adapter of the entry guides, it is possible to make a wide roller shutter with narrower guide channels, which is often a desirable solution, especially on the French market. The adapter is available for both electrical and manual control. In the latter case, the possibility of making a wider roller shutter box enables the strap or rope to go out on the width of the façade. Therefore there is the possibility of mounting the coiler on the wall.

SKT OPOTERM RENO



It is an option designed mainly for the French market, where it is very common to use old frames that are not dismantled during renovation as they are the load-bearing element of the building structure. This solution is very versatile. The roller shutter box is cut in the shape of the letter „Z”, which allows to adjust it to all versions of renovation frames available on the market, whose fin size varies from 25 mm up to 110 mm. This Product is only available for the system without an insect screen.

SKT OPOTERM MONOBLOCK

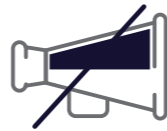


This solution was designed mainly for the French market, where very often the walls of buildings are insulated from the inside and the window joinery is installed in the insulation layer. This, in turn, entails the need to use special window profiles, the so-called monoblocs, and thus significantly complicates the possibility of application of the top-mounted roller shutters. In order to solve this problem, Aluprof has designed system solutions of guide channels adapted for mounting roller shutters on such window frames. This product is characterized by its small size and is deprived of any fastening elements. The guide channel is available in two versions - aluminium with a flat back wall and an angled PVC wall matching the angled mono-block frame, which provides a stable mounting base.

WHAT ARE THE BENEFITS OF EXTERNAL Roller shutters?



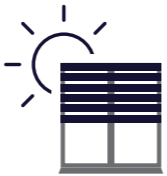
SAFETY – roller shutters may discourage a potential burglar. As a result, we can feel safe in our home.



ACOUSTIC ISOLATION – roller shutters help to reduce the noise coming from outside.



EXCELLENT THERMAL INSULATION – roller shutters significantly reduce heat loss through windows and doors in the winter season.



SUNSHADE – roller shutters perfectly protect rooms from overheating in summer.



PRIVACY – roller shutters provide effective protection against intruders. We can feel comfortable.



WINDOW PROTECTION – roller shutters effectively protect window joinery against harmful external factors such as: wind, rain or direct sunlight.



SAVINGS – roller shutters contribute to the reduction of heating cost in winter and air conditioning cost in summer.



PROTECTION AGAINST INSECTS – roller shutters integration with an insect screen guarantees effective protection from annoying insects.

ALUPROF
ALUMINIUM SYSTEMS



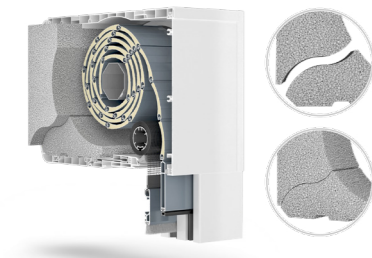
LET'S BUILD A BETTER FUTURE

ALUPROF
ALUMINIUM SYSTEMS

ALUPROF SA
ul. Gostawicka 3, 45-446 Opole, Poland
tel. +48 77 400 00 00, fax +48 77 400 00 06
e-mail: opole@aluprof.eu, www.shutters.aluprof.eu



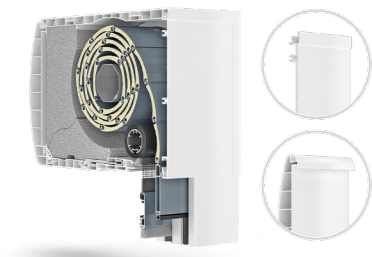
TOP-MOUNTED ROLLER SHUTTER
SKT Opoterm



There is a possibility of applying OC+ insulation in the roller shutter box with a better thermal properties compared to the option used in the standard, as confirmed by tests carried out at the IFT Rosenheim Research Institute. For example, for a 230/210 roller shutter box, $U_{sb}=0.59 \text{ W/m}^2\text{K}$ was obtained, while for a 255/240 roller shutter box, $U_{sb}=0.66 \text{ W/m}^2\text{K}$. The OC+ insulation is characterized by easy and comfortable installation and very good stability. In addition, for more demanding projects, the use of special insulation dedicated to elements such as end caps, division walls or steel reinforcements WSS is planned.



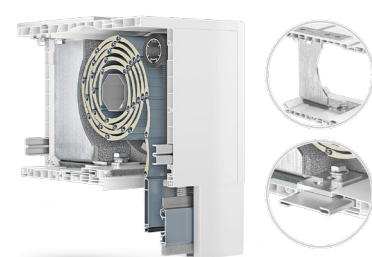
The product allows for installation without casing, with partial or complete casing, because the front of the roller shutter box is at the same time a base for any finishing material (e.g. polystyrene, plaster, clinker, etc.). Moreover, it is also possible to hide the guide channels in the insulation, so that only the curtain of the roller shutter is visible outside. Thanks to the colourful matching of the profiles, the roller shutter becomes an unnoticeable element of the façade. For investors who want to treat the roller shutter as a decorative element, there is a possibility to cover the roller shutter box and guide channels with a decorative foil. The offer includes a wide range of veneer colours, corresponding to the latest trends in window joinery.



The available option of the roller shutter box with an unbuilt aluminium side profile on the outside. It guarantees greater durability and allows painting in any RAL colour to match the colour of the window joinery or façade. In the case of buildings with very thin walls and no possibility to build the roller shutter box from the inside, it is possible to use an option with the so-called rounded side profile. It is a very aesthetic solution, which will certainly fit into any interior.



The well thought-out design of the system provides for the possibility of running the power cable within the roller shutter box. A special gland secures the cable.



In order to ensure correct and stable functioning of roller shutters in Opoterm system, especially with wide widths, it is necessary to use specially designed steel reinforcements of the roller shutter box, the so-called WSS. These elements are characterized by a simple structure. Its shape does not interfere with the components of the roller shutter and is invisible from the outside. The versatility of these solutions means that they can be used for any size of roller shutter box in the version with a revision flap from the bottom or front of the roller shutter box. In addition, the offer includes side and bottom reinforcements of the roller shutter box, which guarantee greater rigidity and stability for wide widths.

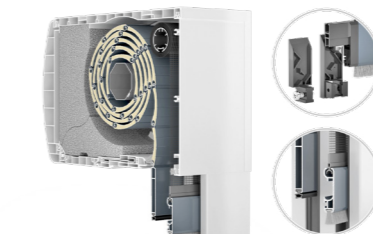
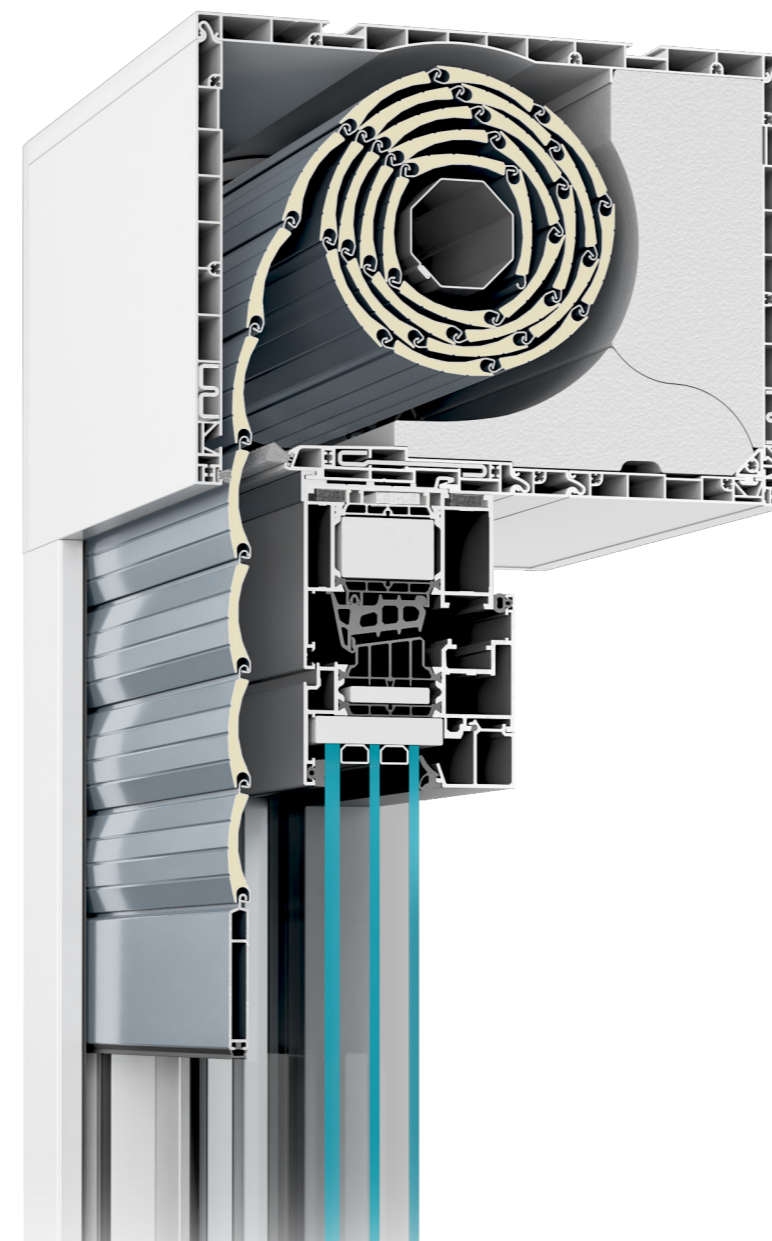
CHOOSE A COMPREHENSIVE SYSTEM

Opoterm

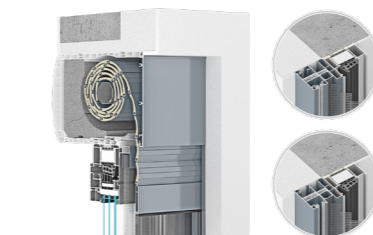
SKT OPOTERM is a very universal product designed primarily for installation in newly erected buildings (mainly developer buildings) or for replacement of window joinery. This system belongs to the family of top-mounted roller shutters. The roller shutter box is installed directly on the window frame by means of an appropriately selected adaptive profile, compatible with the window frame profile. It is made of very good quality PVC elements and its interior has been additionally insulated, thus increasing the thermal insulation, which was confirmed by tests carried out in the IFT ROSENHEIM Institute.

It is a versatile product that allows installation without casing, with partial or complete casing as the front of the box is at the same time a base for any finishing material (e.g. polystyrene, plaster, clinker, etc.) and therefore it remains an unnoticeable element of the façade. Well thought-out construction of the system allows to fit a single roller shutter as well as a set of roller shutters in one roller shutter box. Several system variants are available, such as Opoterm Nova, Opoterm Reno and Opoterm Monoblock.

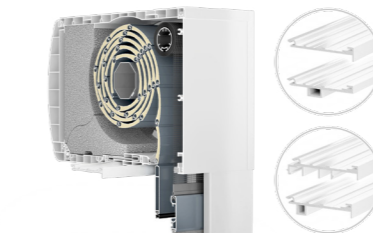
The design of the SKT OPOTERM system additionally enables integration with an insect screen, which guarantees effective protection against insects.



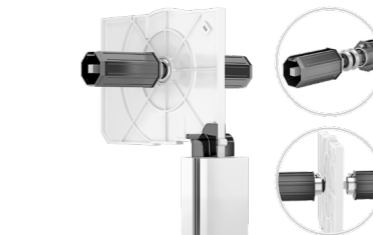
Possibility of direct integration with the insect screen. It makes it possible for the investor to equip them with an independently operating Moskito system when planning to purchase external roller shutters. In this case, the external roller shutters are equipped with properly sealed guide channels, endslat and specially designed roller shutter boxes, which enable the installation of the round reel with the insect screen net. In addition, MKT systems are equipped with a modern AluClick mechanism, which provides comfort when opening and closing the insect screen, which makes its use very easy and does not require a lot of effort. In order to close, it is enough to gently close the bottom endslat of the insect screen. If you want to open it, press on the endslat, which opens automatically.



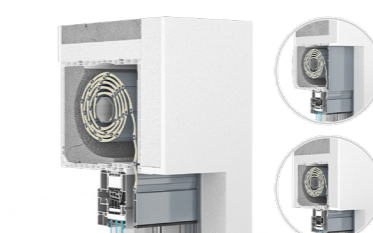
The use of the PP60/12 and PP60/17 guide channels allows for collision-free installation of pleated insect screen systems MPH Harmony and MPH Ver-ti. These guide channels have a special chamber that performs the function of a straight guide channel for the insect screen. The operation of the moving curtain does not affect the usefulness of the insect screen. As a result, space and assembly time can be saved. The guide channels are made of aluminium and complement the assortment of guide channels in SKT Opoterm systems. Similarly to the other guide channels in these systems, they have the possibility of a complete installation, which makes the combination of roller shutters and insect screens a coherent and aesthetic solution.



There are 7 sizes of adaptive profiles available in the offer, which enable the roller shutter box to be mounted on the window frame by clicking or sliding it from the side. These adapters work with most PVC window systems available on the market. In the case of aluminium joinery, a special distance profile with a polyamide insert can be used to install the roller shutter box. In order to minimize the occurrence of thermal bridges, it is recommended to use an expansion tape to seal the surface.



In case of installation of a set of equal height roller shutters the use of a common drive is allowed. In this case, however, the maximum width of the set must not exceed 6 000 mm.



A special advantage of SKT OPOTERM is the revision flap option either from the bottom or front of the roller shutter box. The decision can be made even before the final assembly of the entire roller shutter. This allows to provide proper service access in case of electric drive failure or when it is necessary to change the curtain of the roller shutter.