



LET'S BUILD A BETTER FUTURE

 **ARCHITECTURAL PRODUCT GUIDE**  
– sun protection, insects screens and garage doors

sun protection, insects  
screens and garage doors  
**SYSTEMS**



[www.sunprotect.aluprof.com](http://www.sunprotect.aluprof.com)

**ALUPROF**  
ALUMINIUM SYSTEMS

## FRONT MOUNTED ROLLER SHUTTER SYSTEMS

# SK, SKE and SKP

ROLLER SHUTTERS SYSTEMS



SK and SKE

SKP



### Functionality

SK, SKE and SKP front mounted roller shutters are intended for use in existing buildings. The main advantage of these products is that they do not require any work to existing building or any special preinstallation preparation – they are not integrated with the window. Buyers can thus decide to install front-mounted roller shutters at any time. These solutions can be installed to the window joinery (in the niche) or directly on the wall.

### Construction details

The roller shutter curtain is usually made of high quality aluminium sheet filled with foam (profiles PA), that have special twolayer paint coatings (system PU/PA). This makes the product more resistant to abrasion and weathering. Aluprof also offers profiles of greater rigidity and stability, made of extruded aluminium, plus PVC profiles. SK & SKP systems have aluminium roller shutter boxes that are made of high quality aluminium sheets, which provide their high resistance, just as the profiles PA. The roller shutter box in SKE system is made from extruded aluminium that guarantees its durability and resistance to abrasion and weathering. Aluminium roller shutter boxes differ in shape: SK and SKE roller shutter boxes are cut and angled of 45°, and SKP roller-box is semi-oval, which makes it look great in the niche.

### Comfort of operation

Depending on the users' needs, roller shutters can be controlled manually or by an electric drive via a wallmounted

transmitter or remote control. Smart control via computer, tablet or smartphone is also an option.

### Advantages of application

External roller shutters perform a very important function when it comes to comfort. In adverse weather conditions, they constitute a barrier that efficiently protects the window from the rain, snow or wind. In the summer they perfectly protect interior spaces from excessive sunlight, whilst limiting the use of air conditioning equipment. In addition, a properly selected external roller shutter provides effective protection against burglary. The advantage of these products is the ability to use the roller-independent system "Moskito", that additionally protects interior spaces against insects while maintaining the access of light and air.

### Colour scheme

Large selection of colours (standard chart for profiles PA) allow to meet the needs of the most demanding Customers. Woodgrain coatings are also available. Colour coatings on the extruded elements are manufactured using powder coating, which ensures high quality and durability of the product (any RAL colour can be used).

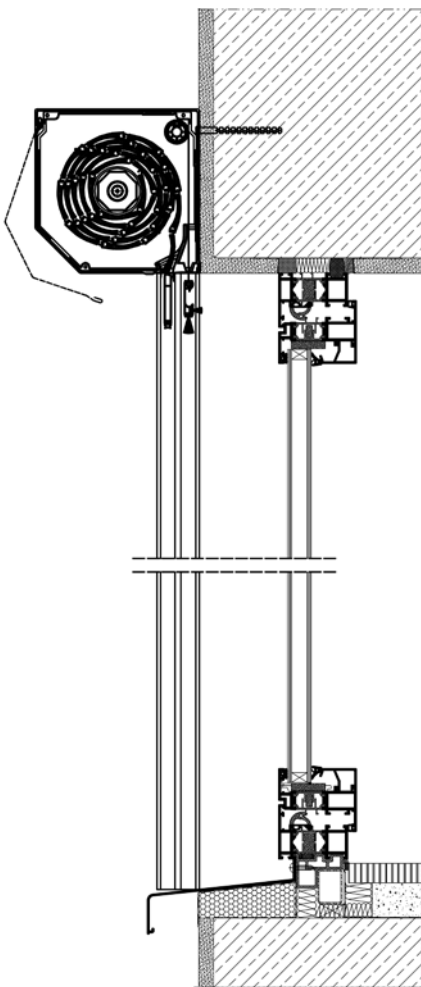
### Requirements

SK, SKE and SKP front mounted roller shutters were subjected to initial type testing performed by an accredited research laboratory – test results are available to the buyers. In addition, specific properties were determined eg. thermal resistance, air permeability, acoustic resistance.

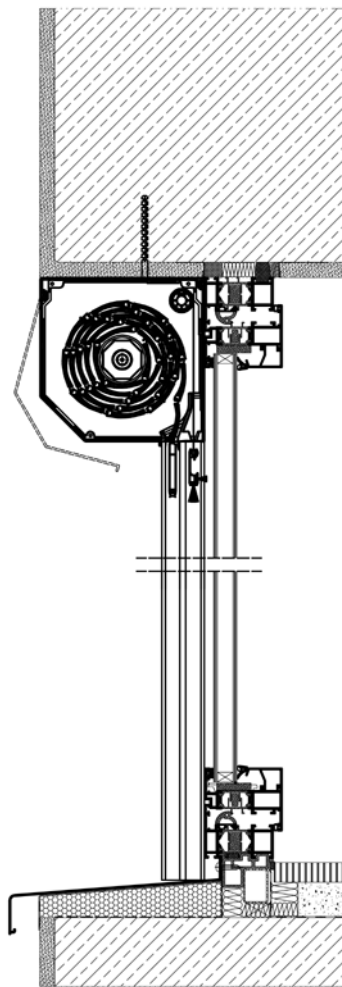


Installation examples in 1-layer wall

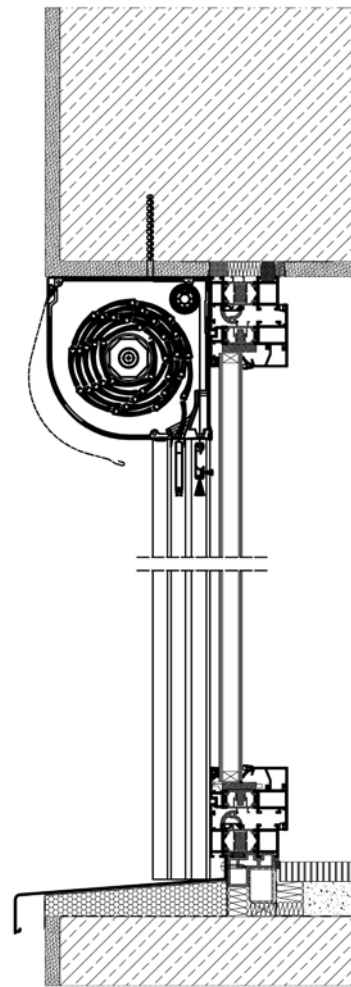
SK + MKT



SKE + MKT

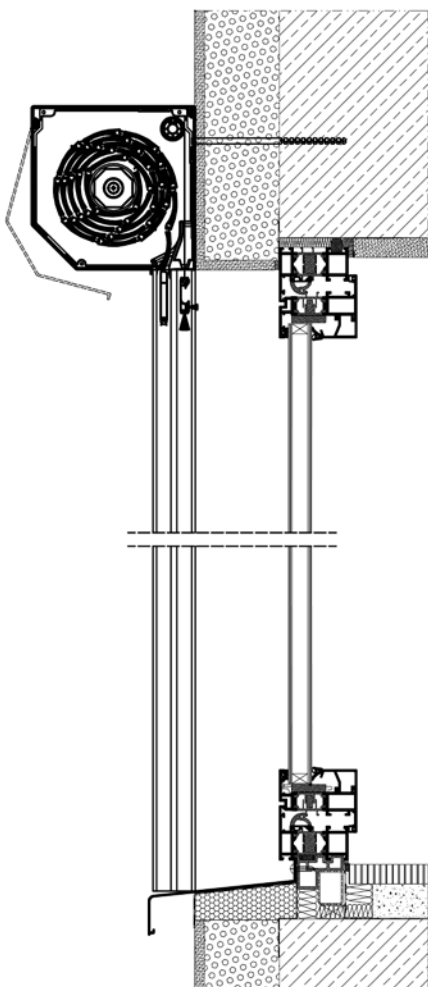


SKP + MKT

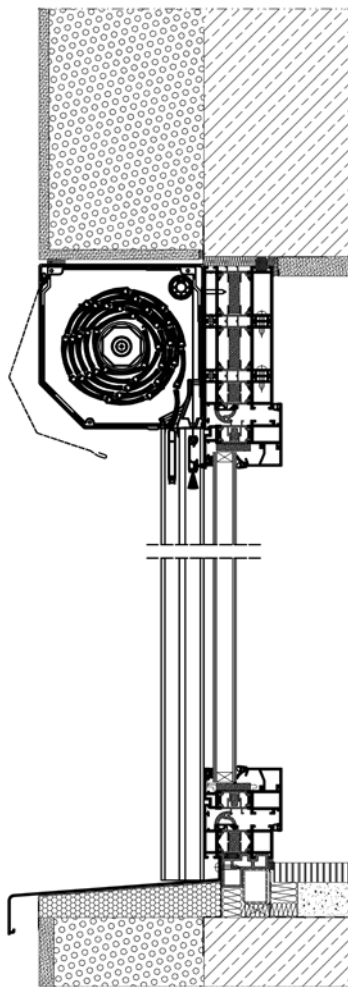


Installation examples in 2-layer wall

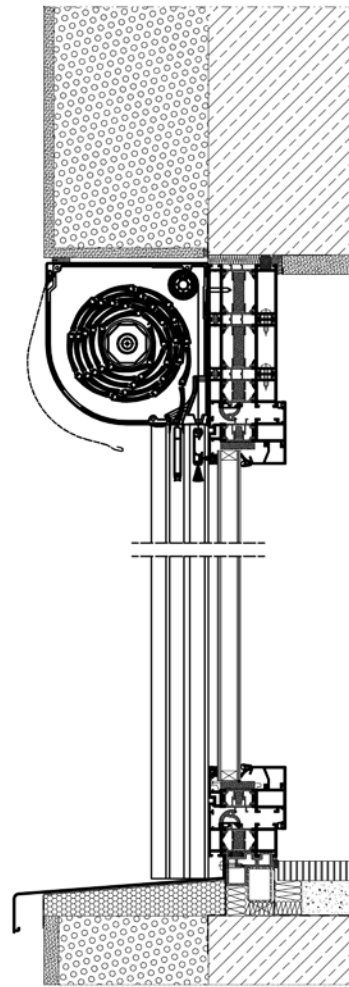
SK + MKT



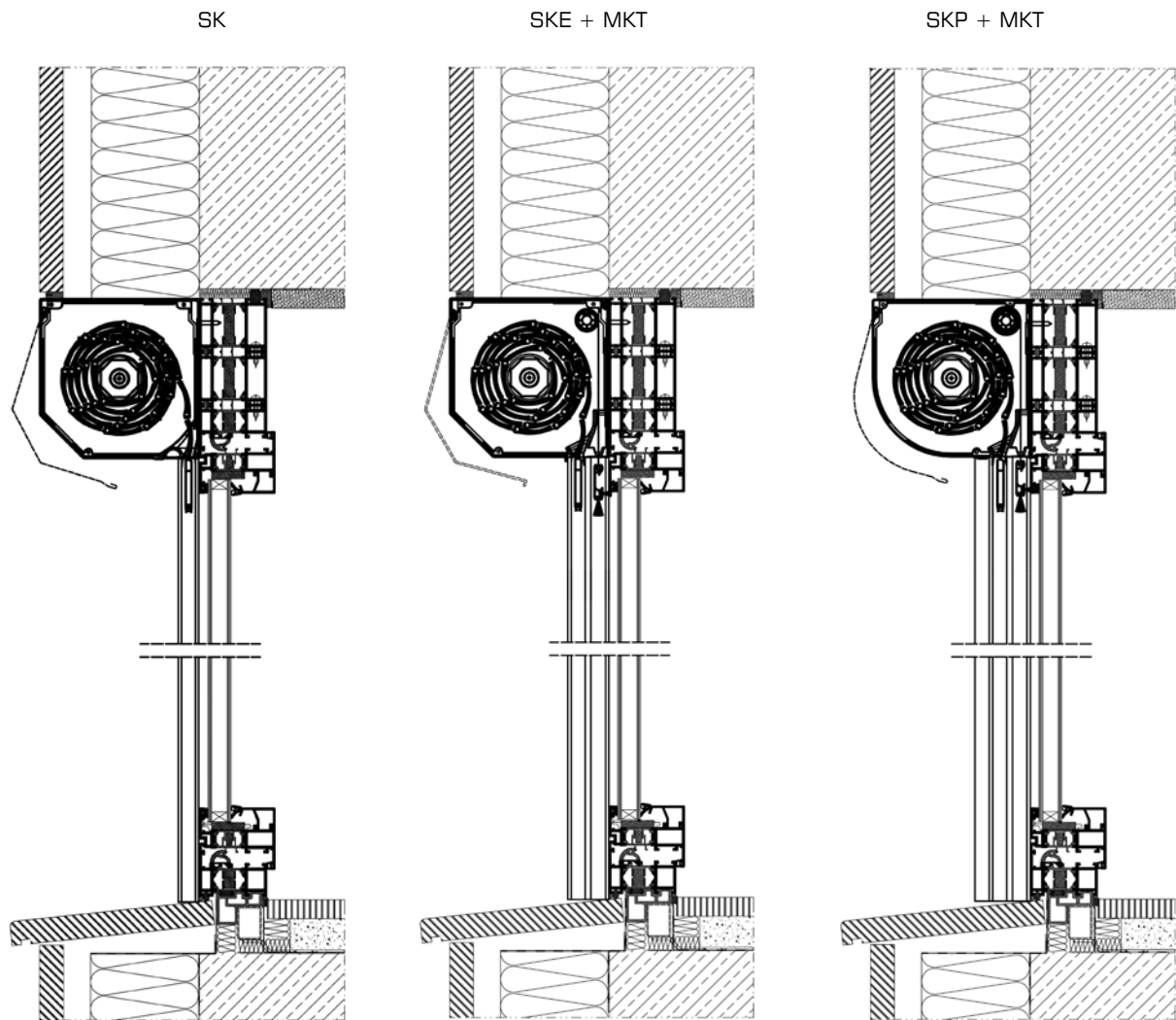
SKE + MKT



SKP + MKT



Installation examples in 3-layer wall



## FRONT MOUNTED ROLLER SHUTTER SYSTEMS

# SKO and SKO-P

ROLLER SHUTTERS SYSTEMS



### Functionality

SKO & SKO-P systems belong to the family of the front-mounted roller shutters, dedicated mainly to existing buildings. As these products are not an integral part of the window and do not require any special pre-installation preparation, they can be installed at any time. Clever design and oval shape make these systems a solution of choice for buyers who want to have their roller shutters on the external wall, as a perfect decorative element.

### Construction details

SKO-P roller shutter box is made of high quality aluminium sheet covered with a special, PU/PA technology-based coating that ensures durability and resistance to abrasion and weathering. Unlike, the SKO system box is made of extruded aluminium, which makes it even more rigid and stable. As it is the case for SK and SKP systems, the roller shutter curtain can be made of foam-filled profiles, PVC or extruded profiles.

### Comfort of operation

Depending on the users' needs, roller shutters can be controlled manually or by an electric drive via a wallmounted transmitter or remote control. Smart control via computer, tablet or smartphone is also an option.

### Advantages of application

External roller shutters serve a very important function when it comes to comfort. In adverse weather conditions,

they constitute a barrier that efficiently protects the window from the rain, snow or wind. In the summer, they perfectly protect interior spaces from excessive sunlight, whilst limiting the use of air conditioning equipment. In addition, a properly selected external roller shutter system provides effective protection against burglary. The advantage of these products is the ability to use roller-independent system Moskito, that additionally protects the interiors against insects while maintaining the access of light and air.

### Colour scheme

Large selection of colours (standard chart for profiles PA) allow to meet the needs of the most demanding Customers. Woodgrain coatings are also available. Colour coatings on the extruded elements are manufactured using powder coating, which ensures high quality and durability of the product (any RAL colour can be used).

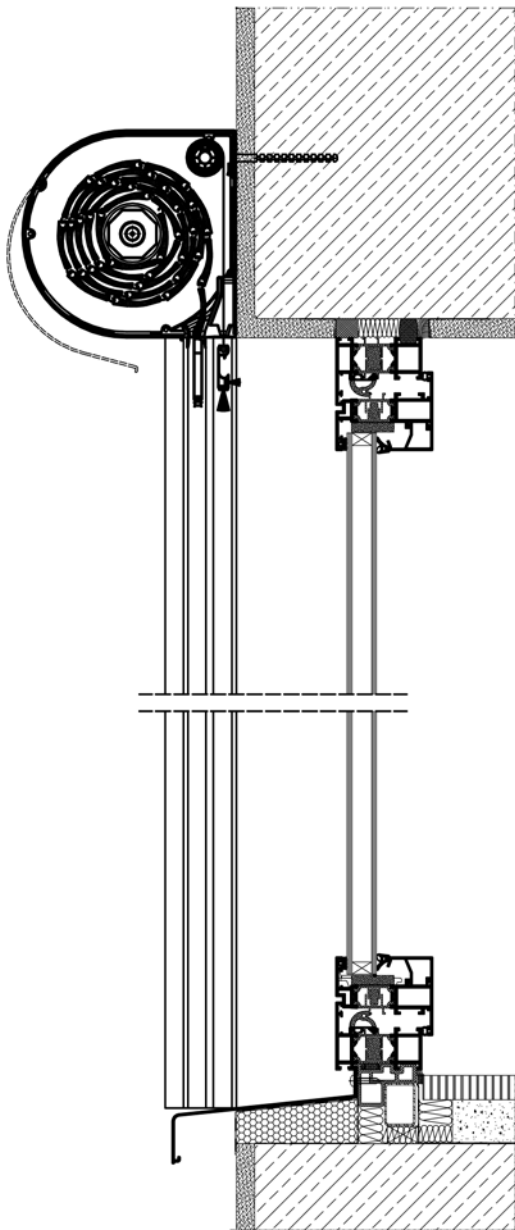
### Requirements

SKO & SKP front mounted roller shutters were subjected to initial type testing performed by an accredited research laboratory – test results and available to the buyers. In addition, specific properties were determined: thermal resistance, air permeability, acoustic resistance.

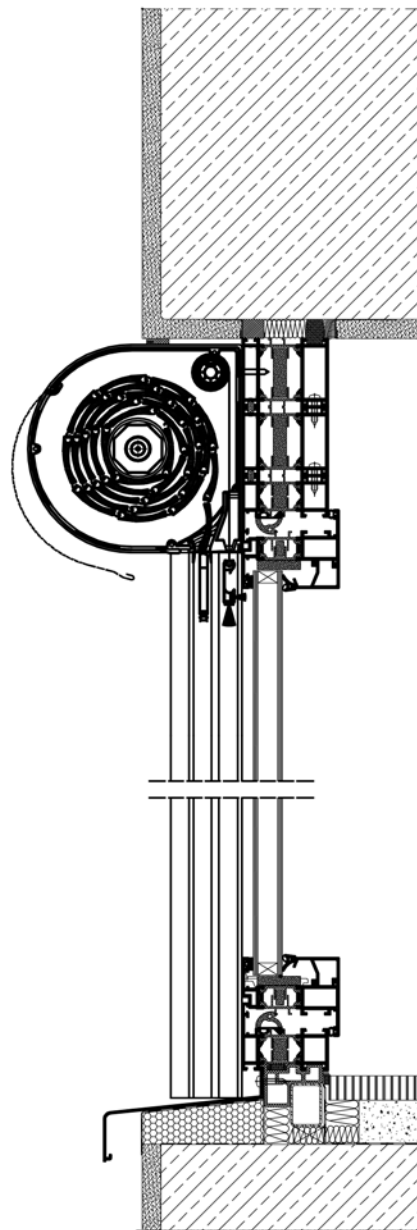


Installation examples in 1-layer wall

SKO + MKT



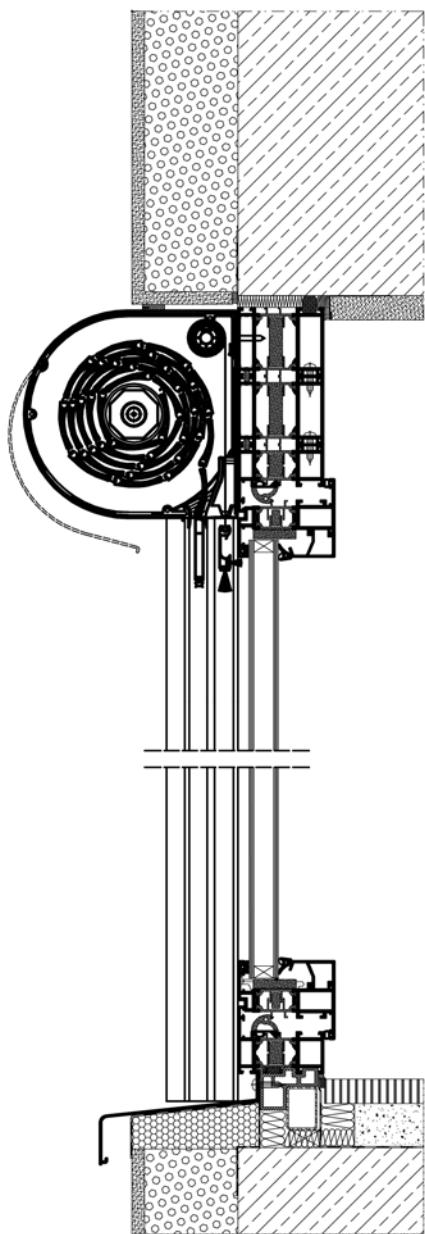
SKO-P + MKT



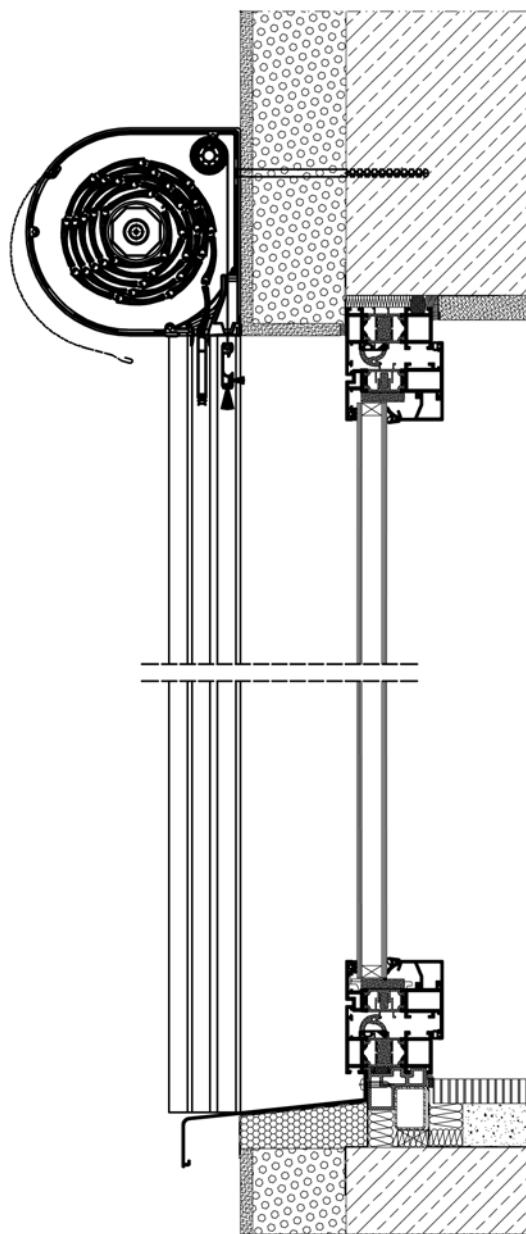


Installation examples in 2-layer wall

SKO + MKT



SKO-P + MKT



# TOP MOUNTED ROLLER SHUTTER SYSTEMS

## SP and SP-E

ROLLER SHUTTERS SYSTEMS



### Functionality

SP & SP-E flush-mounted systems are mainly designed for use in newly erected buildings, but also in existing ones, once the necessary changes are made to the lintel. It is important to plan the use of such solutions, this also applies to the installation method, as early as at the building design stage to allow for the effective use of the product's functional values. SP & SP-E systems bring excellent thermal & sound insulation performance as they do not require any work to existing windows, doors or lintels, and thus they do not affect the building's energy use. What's more, they integrate the building's façade and form an integral part thereof.

### Construction details

The front section of the aluminium shutter box is equally a base for any finishing material (plaster, clinker, etc.) so that the box could remain an unnoticed element of the façade. Other elements such as access cover or channels can colour-match the windows. As it is the case for front-mounted systems, the roller's curtain can be made of foamfilled plastic or extruded profiles. Flushmounted system-based roller shutters can be equipped with an insect screen which provides effective protection against insects while maintaining the flow of light and fresh air to interior spaces.

### Comfort of operation

Depending on the users' needs, roller shutters can be controlled manually or by an electric drive via a wallmounted

transmitter or remote control. Smart control via computer, tablet or smartphone is also an option.

### Advantages of application

External roller shutters are far more efficient than ordinary curtains or shutters – their design produces a sort of airbag between the surface of the window and the curtain making it an excellent insulator. This helps to reduce yearly energy costs up to 30%. Roller shutters significantly contribute to the reduction of heat loss in winter and improve the building's energy use, while in summer, they protect effectively interior spaces from overheating, reducing the consumption of additional cooling equipment.

### Colour scheme

Large selection of colours (standard chart for profiles PA) allow to meet the needs of the most demanding Customers. Woodgrain coatings are also available. Colour coatings on the extruded elements are manufactured using powder coating, which ensures high quality and durability of the product (any RAL colour can be used).

### Requirements

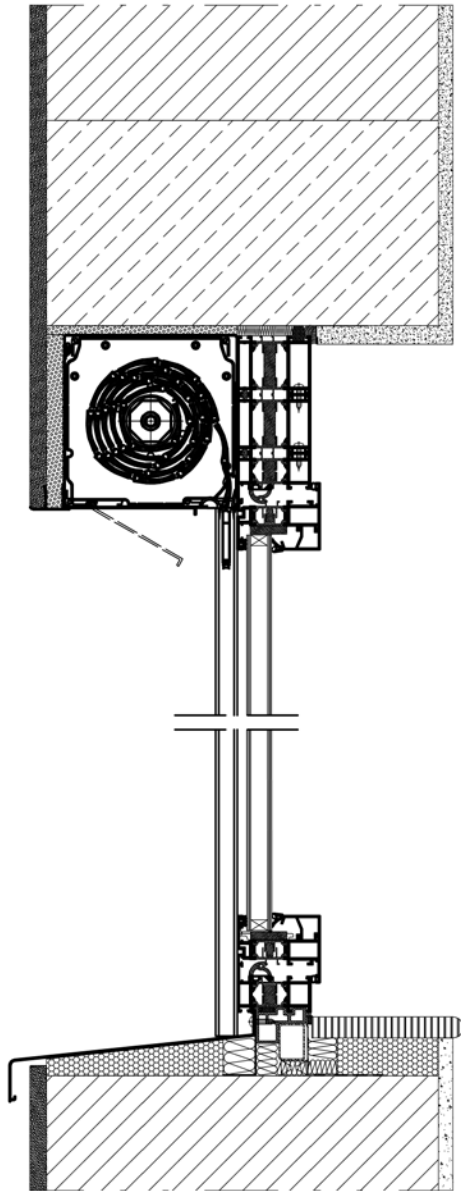
SP & SPE flush-mounted roller shutter systems were subjected to initial type testing performed by an accredited research laboratory – test results and available to the buyers. In addition, specific properties were determined: thermal resistance, air permeability, acoustic resistance. In addition, SP & SP-E roller

shutter aluminium boxes, size: 165 mm or lower are certified by the Passive House Institute PHI Darmstadt, which means that, once certain installation requirements are met, the product can be used in low-energy buildings.

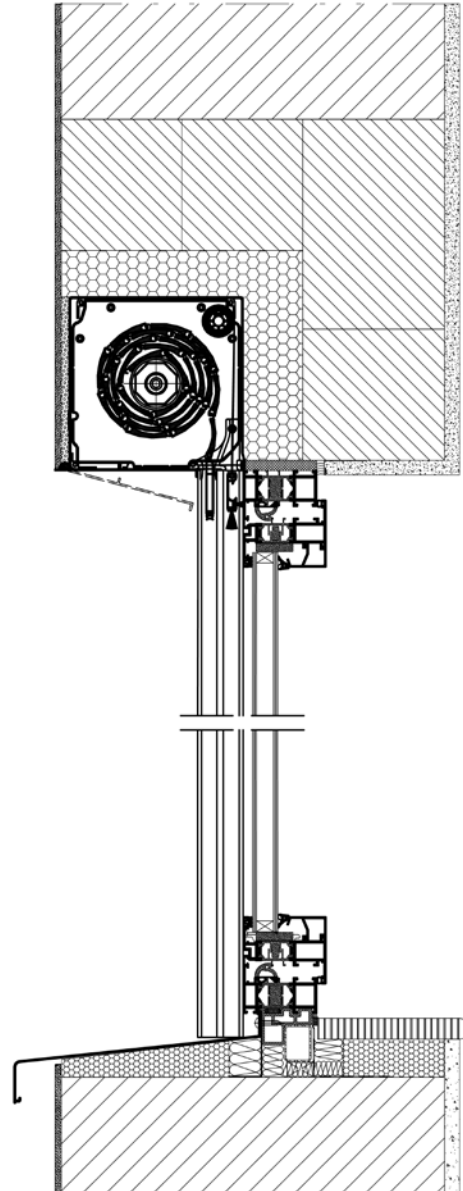


Installation examples in 1-layer wall

SP

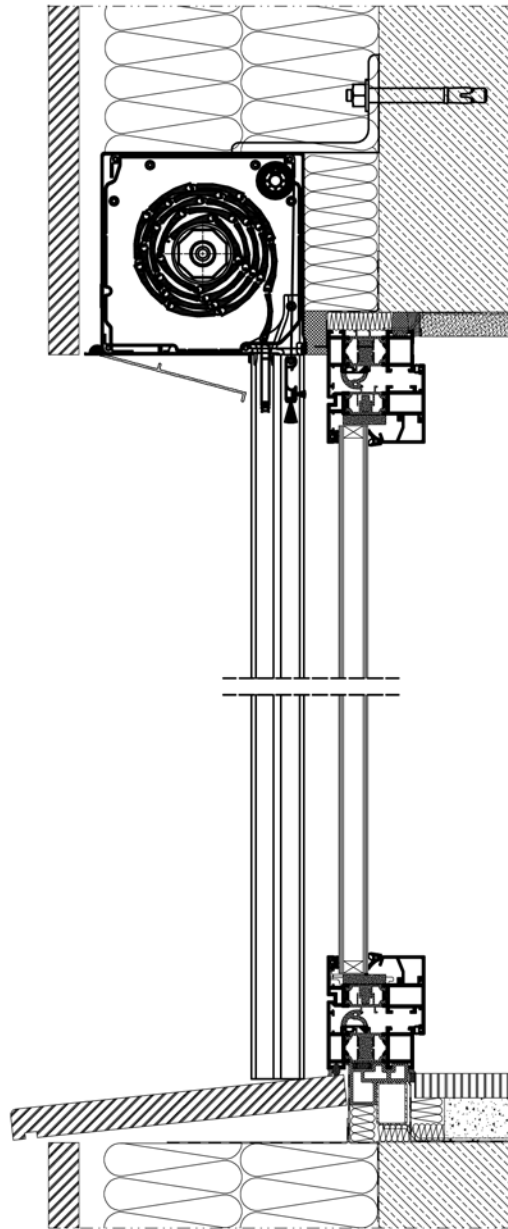


SP-E



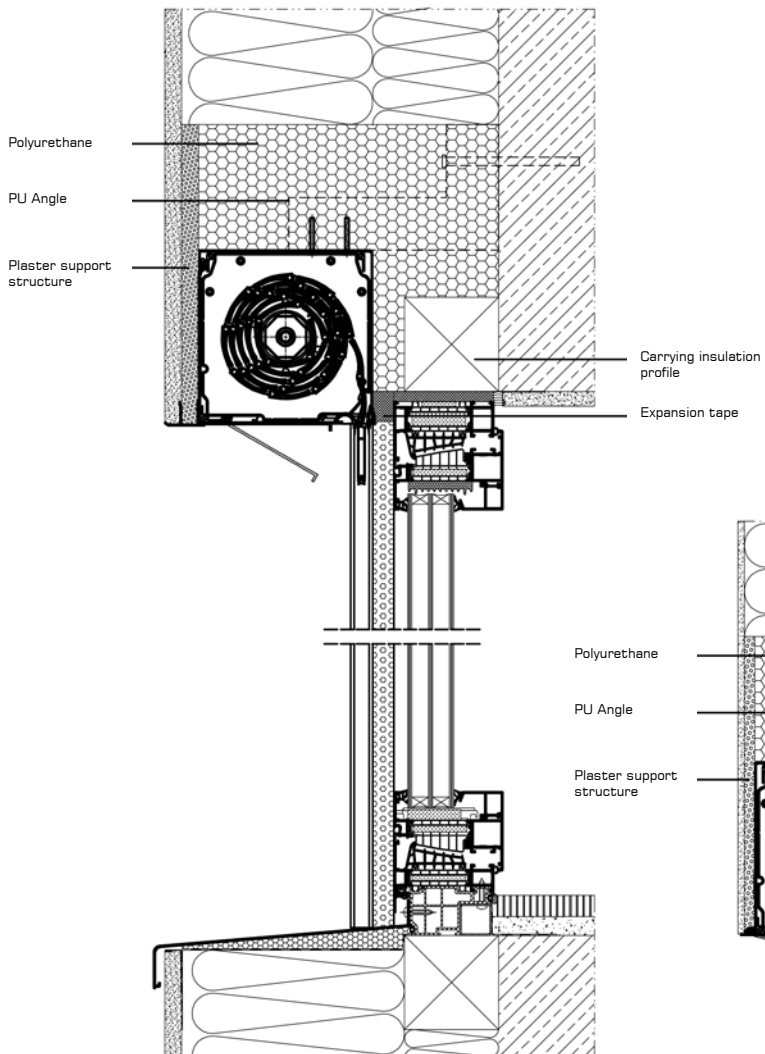
Installation examples in 3-layer wall

SP-E

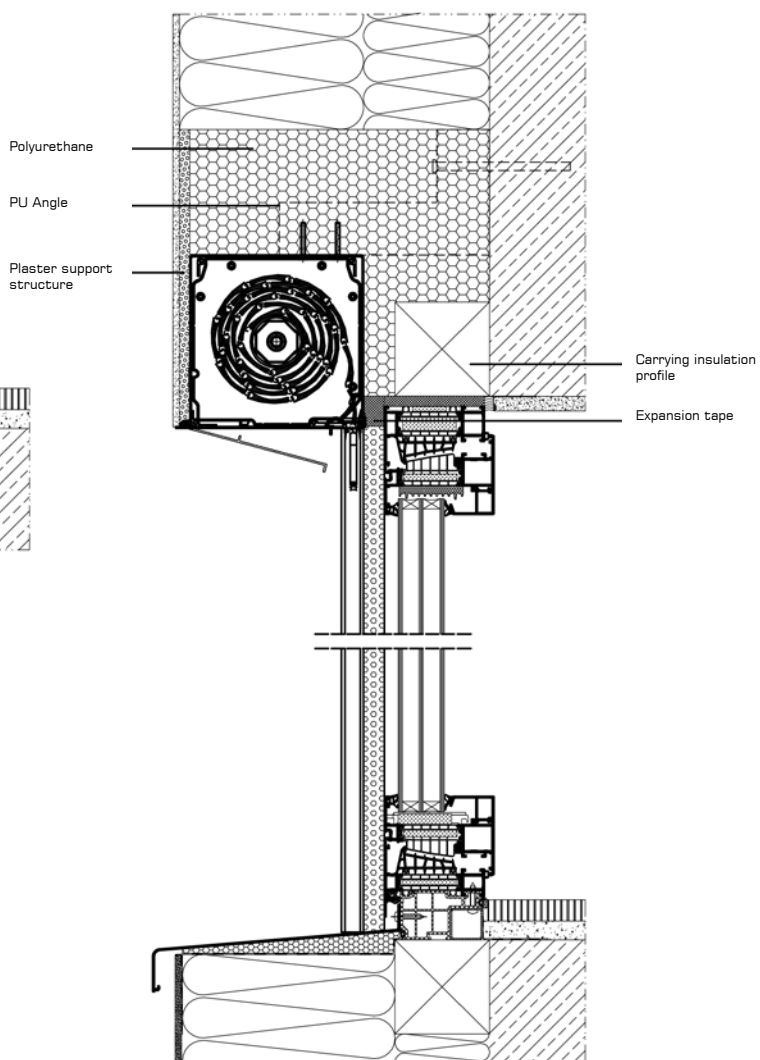


Installation of under plaster systems SP, SP-E  
certified by the Passivehaus Institut

SP



SP-E



## ROLLER SHUTTER SYSTEM

# SKB STYROTERM

ROLLER SHUTTERS SYSTEMS



### Functionality

The SKB Styroterm top-mounted roller shutter system is a highly technologically advanced solution, which was developed with a view to improving the energy balance of the building. The product can be used both in newly erected buildings, as well as in those that already exist during replacement of window joinery. As in the case of the Opoterm system, the installation of roller shutters involves direct installation of the shutter box on the window frame by means of an appropriately selected adaptation profile. Aluprof's offer includes several options, which are adjusted to 90% of profiles available on the market. The SKB Styroterm system has been designed to be completely insulated, so that the shutter box remains an unnoticeable element of the building façade.

### Construction details

The main element of this product is a shutter box, which was made of a material specially designed at the request of Aluprof, characterized by very good thermal properties. It is available in two sizes: 260 × 260mm and 300 × 300mm. The advantage of the new product is also the possibility to choose the revision flap from the inside or outside of the room, which is extremely important in the case of maintenance services. The well thought-out system design makes it possible to use the mechanism of façade shutters in the box. As a result, external roller shutters and façade

shutters can be aesthetically combined on the same façade, ensuring homogeneous appearance of the building façade. The roller shutter's curtain can be made of foam filled profiles and plastic profiles. Roller shutters in the STYROTERM system can be equipped with insect screens installed in a shutter box. Due to the click technology it is very fast and easy to install.

### Operation simplicity

Depending on the needs of the users, the roller shutters can be controlled manually, via an electric motor via a wall transmitter or remote control, as well as through the use of intelligent control via a computer, tablet or smartphone.

### Advantages of application

Roller shutters in SKB Styroterm system are an extremely versatile solution. In winter the system reduces heat loss through windows and doors, while in summer it protects rooms against overheating. This allows for significant savings of up to 30% per year. What is more, due to its integration with the insect screen, it provides a barrier that protects the interior of the house from the presence of annoying insects.

### Colour scheme

Large selection of colours (standard chart for profiles PA) allow to meet the needs of the most demanding Customers. Woodgrain coatings are also available. Colour coatings on the extruded elements are manufactured using powder coating,

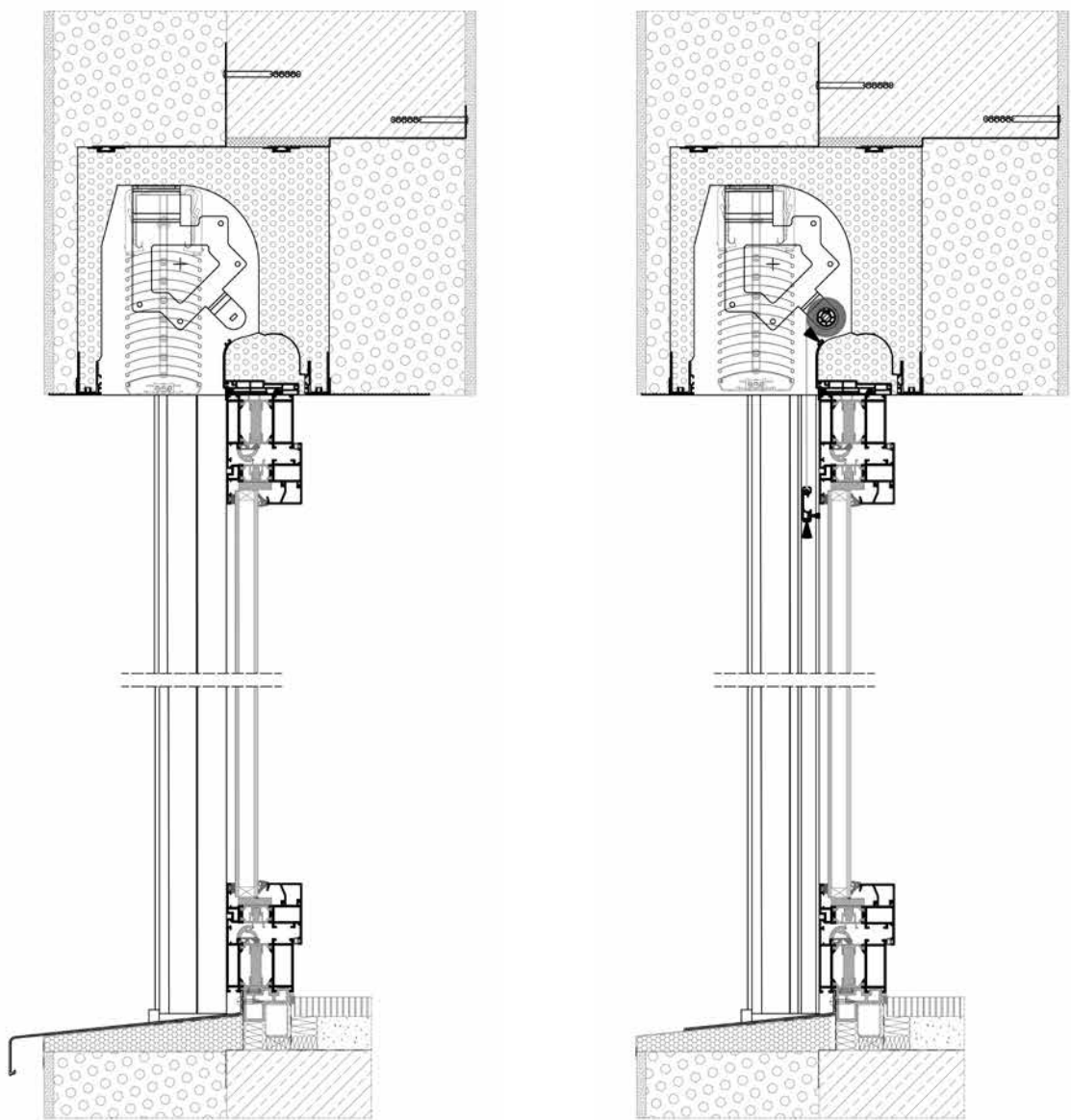
which ensures high quality and durability of the product (any RAL colour can be used).

### Requirements

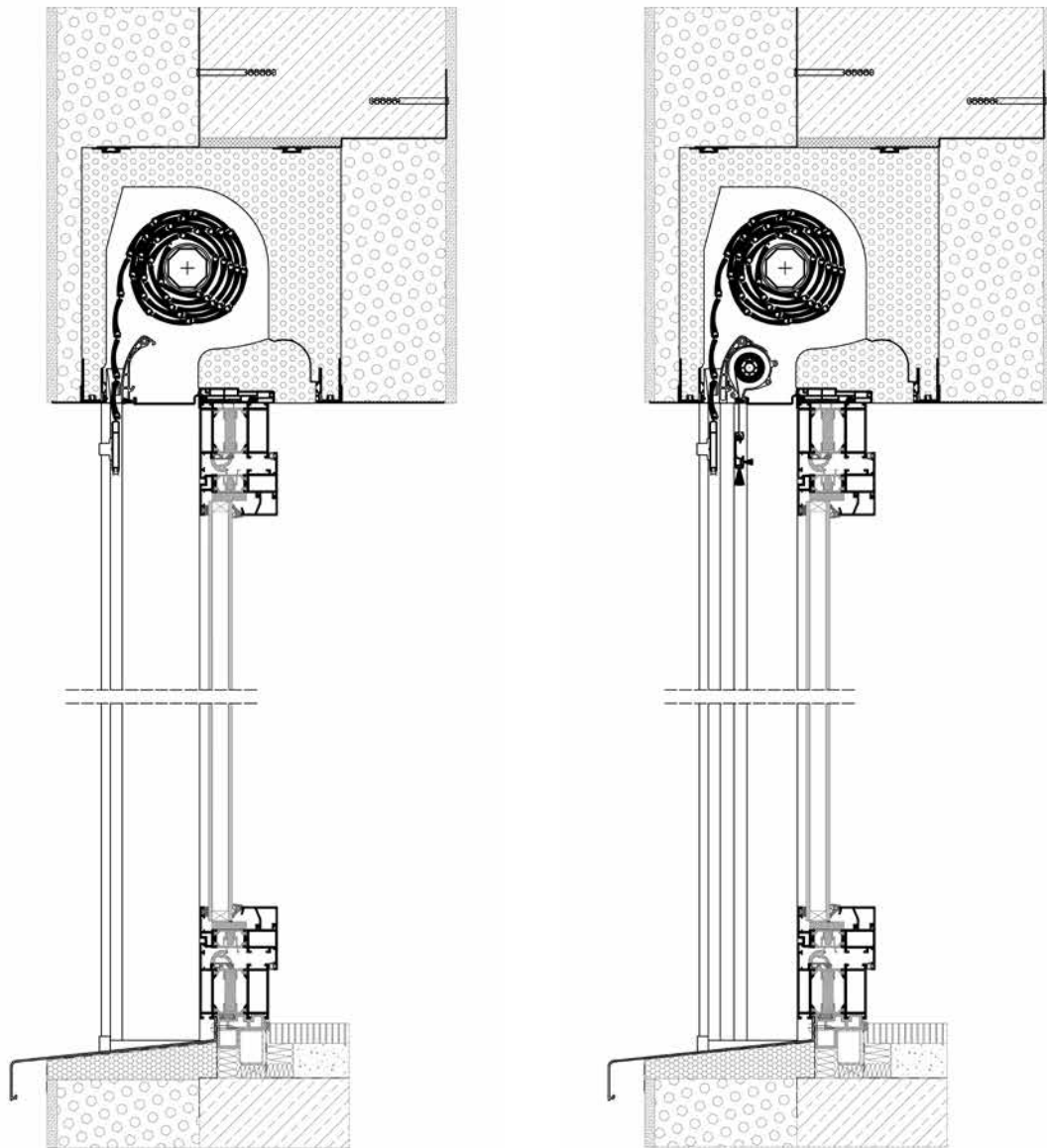
Roller shutters in the SKB Styroterm system have preliminary type tests, which have been carried out by an accredited laboratory and are available for system recipients. In addition, special parameters such as thermal resistance, air permeability or acoustic resistance have been determined. Studies at a renowned research institute IFT ROSENHEIM have shown that the proposed solution has an extremely high coefficient of thermal transmittance with  $U_{SB}$  from only 0.29 W/(m<sup>2</sup>K), which places the system in the first place among other products of this type.



Installation examples in 2-layer wall

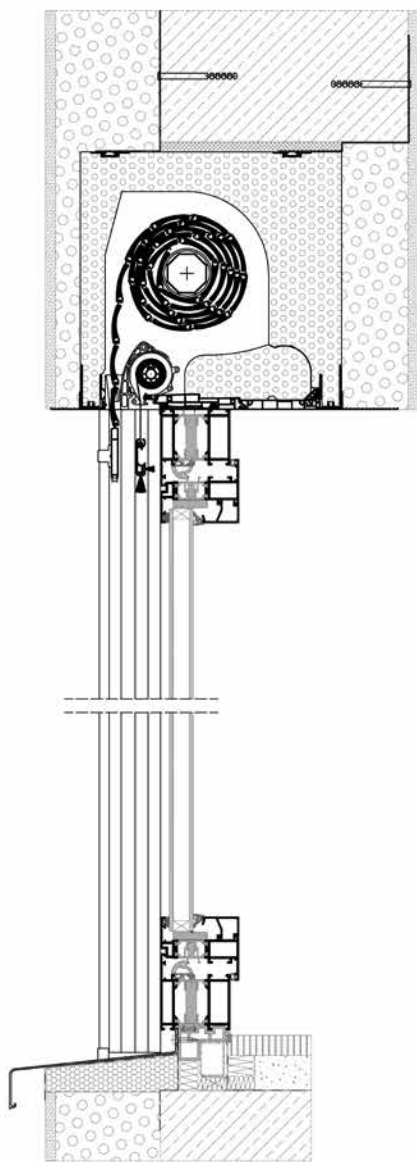
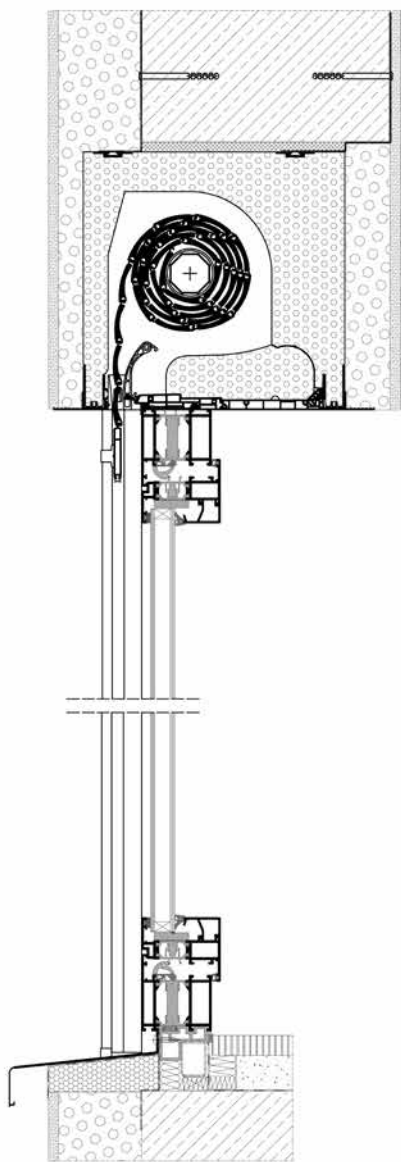


Installation examples in 2-layer wall





Installation examples in 2-layer wall



## PVC ROLLER SHUTTER SYSTEM

# SKT OPOTERM

ROLLER SHUTTERS SYSTEMS



### Functionality

SKT OPOTERM top mounted roller shutter system is intended for both newly constructed and refurbished buildings (replacement of windows). This on-window mounted system has its box direct installed on the window frame by means of an appropriate profile. These profiles are compatible with the majority of window and door frame profiles (aluminium, wooden & PVC). This universal and versatile product can be installed unintegrated, partially or totally integrated, as the front face of the box is also a base for any finishing material (polystyrene, plaster, clinker, etc.) so that it remains unnoticed element of the façade.

### Construction details

These boxes are made of high quality PVC components and are characterised by an increased thermal insulation. Its clever design allows to fabricate a single roller shutter, as well as a set of rollers shutters contained in only one box. SKT Opoterm's particular advantage is the ability to choose how to access the product from the bottom or from the front of the box, this before the final installation of the roller shutter. The installation is made directly to the window frame using an appropriate profile. Special profiles offered by Aluprof are compatible with the majority of window & door systems (aluminium, wooden & PVC joinery). The roller's curtain can be made of high quality aluminium sheet that ensures durability and resistance to abrasion and weathering or made of

PVC profiles. The system enables the integration with insect screens, which ensures effective protection against insects.

### Comfort of operation

Depending on the users' needs, roller shutters can be controlled manually or by an electric drive via a wallmounted transmitter or remote control. Smart control via computer, tablet or smartphone is also an option.

### Advantages of application

SKT OPOTERM top mounted roller shutter systems ensure high thermal insulation that enable to lower the costs of heating in winter and reduce solar gains inside the rooms. The possibility of direct integration with Mosquito system guarantees the insect protection while keeping the access to the light and fresh air.

### Colour scheme

Large selection of colours (standard chart for profiles PA) allow to meet the needs of the most demanding Customers. Woodgrain coatings are also available. Colour coatings on the extruded elements are manufactured using powder coating, which ensures high quality and durability of the product (any RAL colour can be used).

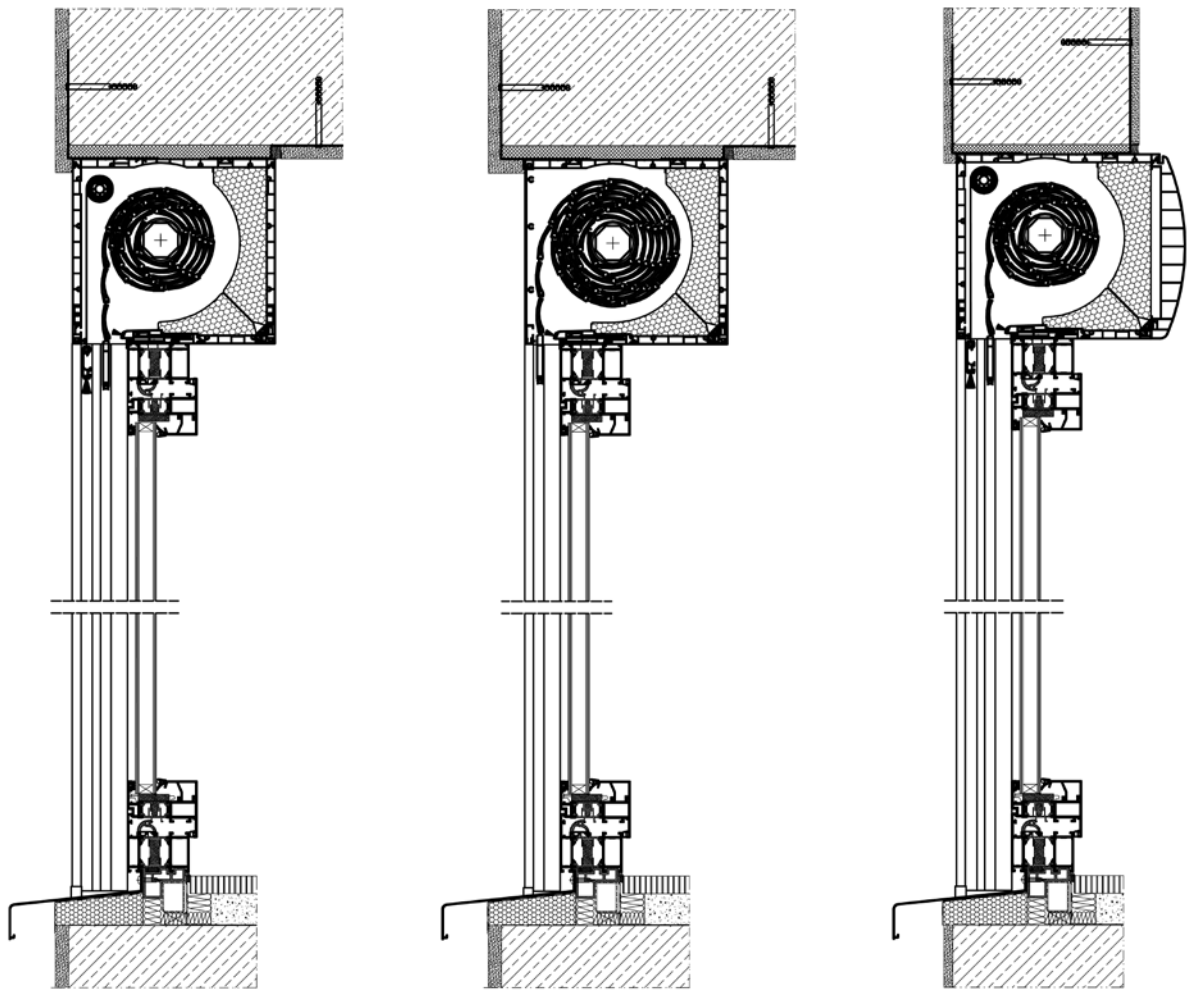
### Requirements

SKT OPOTERM top mounted roller shutters system was subjected to initial type testing performed by an accredited research laboratory – test results and available to the buyers. In addition, specific

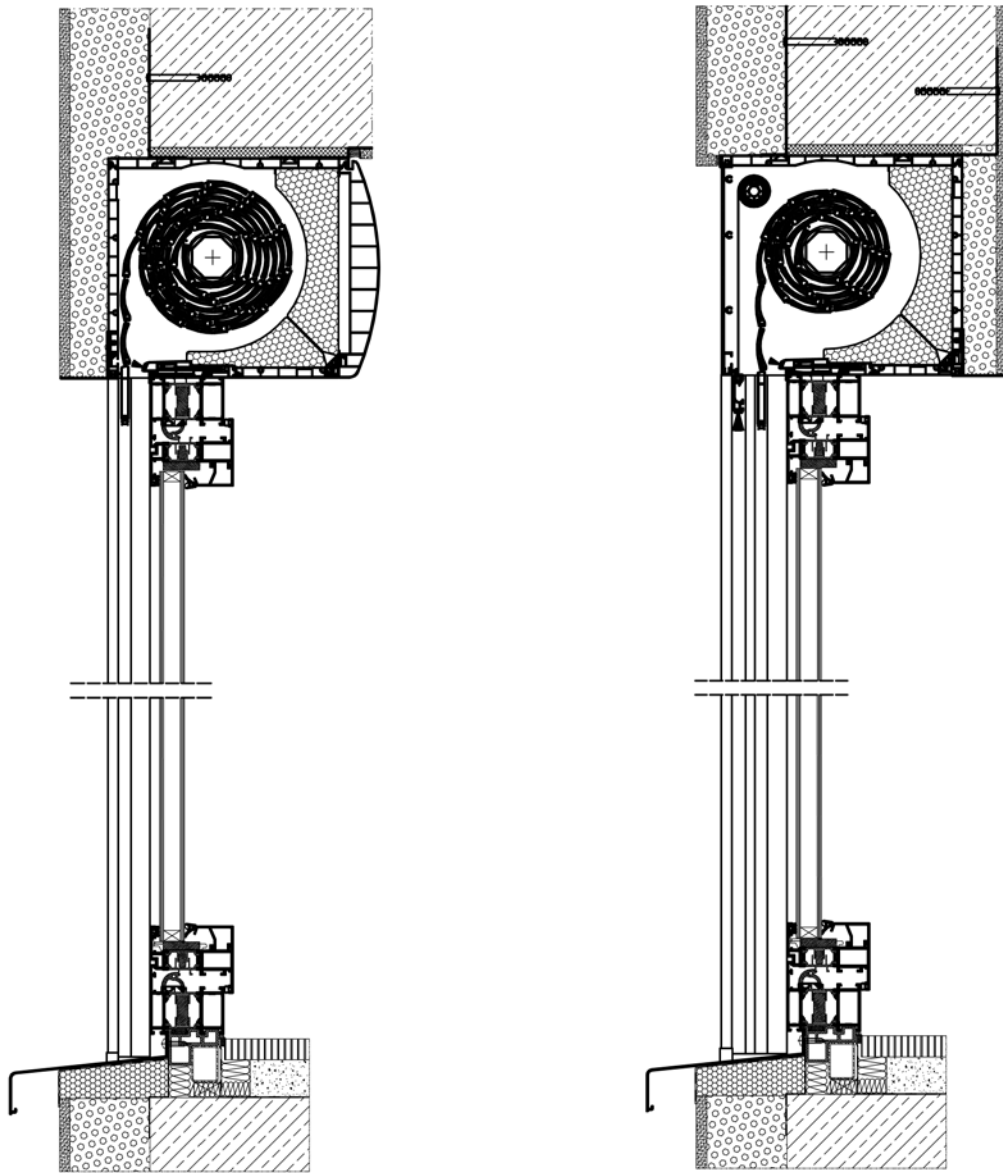
properties were determined: thermal resistance, air permeability, acoustic resistance. This system has received a thermal transmittance-related certificate from renowned research centre IFT Rosenheim. The rollerboxes were tested using EPS (Neopor, thermal insulation material) – the tests were based on the current standards and calculation methods. The product demonstrated an excellent performance, e.g. the SKT 230/170 box with integrated insect screen obtained a  $U_{sb}$  coefficient of  $0.73 \text{ W/(m}^2\text{K)}$ .



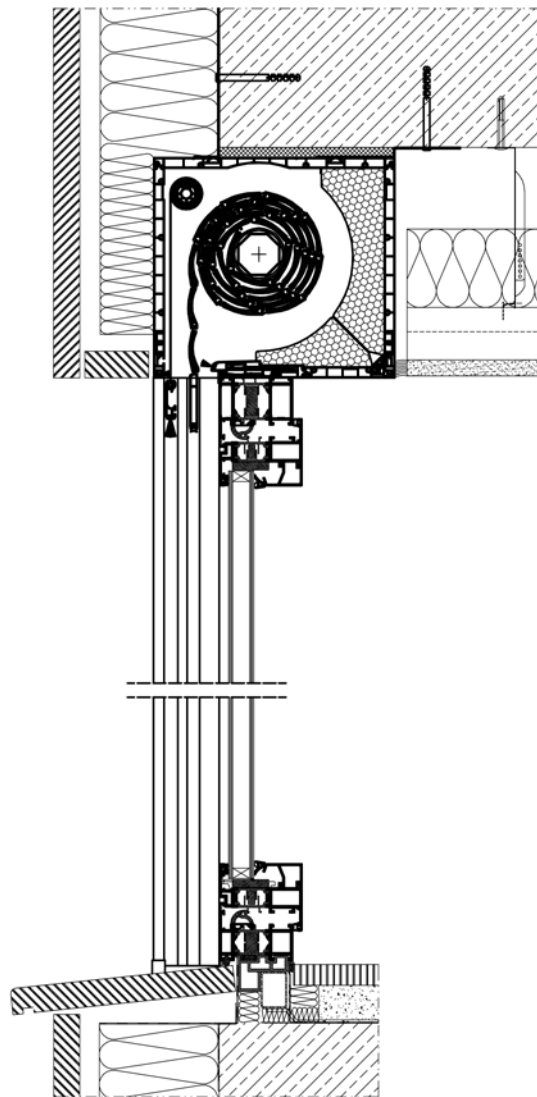
Installation examples in 1-layer wall



Installation examples in 2-layer wall



Installation examples in 3-layer wall



## ANTI-BURGLARY SYSTEMS

# SAFETY PREMIUM and SAFETY PLUS

ROLLER SHUTTERS  
SYSTEMS



Designed for users with special requirements for home safety. As a manufacturer of shutter systems, we decided to go a step further and offer a product that would be an excellent decorative element and yet provide efficient protection against burglary at the same time.

### SAFETY PREMIUM

Anti-burglar roller shutter system Aluprof Safety Premium is a highly technically advanced product, which thanks to the design of innovative structural elements has successfully passed specialized research and was the first system in Poland to receive the RC3 class of burglary resistance. Effective protection is guaranteed here by, among others, reinforced construction of guide channels, which does not allow for bending and pulling out the roller shutter profiles and special reinforcement in the endslat, ensuring high rigidity and stability of the curtain. In addition, adequately strong and durable construction of roller shutter curtain made of extruded aluminium profiles prevents any damage during impact. In addition, the latch system in the lower part of the roller shutter prevents the closed roller shutter from being lifted, which guarantees effective protection of the house.

### SAFETY PLUS

Aluprof Safety Plus anti-burglar roller shutter system is a proposal addressed to investors for whom security issues are of vital importance and are looking for a certified solution at an affordable price.

The main advantage of the product is a specially developed latch system in the endslat, which makes it difficult to lift the roller shutter curtain when attempting to open manually the shutter from the bottom and enter into the property. Thanks to the reinforcement of the guide channels and the bottom endslat, it is also difficult to pull out single roller shutter profiles and thus dismantle the curtain. Its robust and durable construction, made of extruded profiles PE41 provides increased resistance to impact. The proposed solution has been successfully tested in a research institute and has been certified in the RC2 burglary resistance class.

### Operation simplicity

Anti-burglar roller shutters can be controlled only by an electric drive via a wallmounted transmitter or remote control. Smart control via computer, tablet or smartphone is also an option.

### User properties

The anti-burglar roller shutters can be adapted to various systems, in which the curtain is rolled back into an aluminum box installed on the wall or frame. The technology and well-thought out design allow the boxes to be concealed as much as possible. A wide range of compatible systems ensure aesthetic compatibility with the curtain wall.

### Color palette

The profiles are available in a wide range of colors, therefore, they can perfectly match the windows and doors.

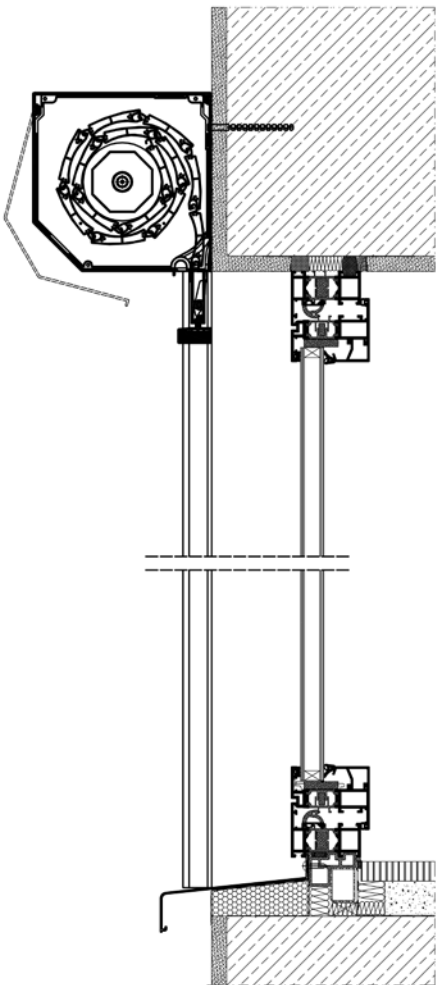
### Requirements

Anti-burglar roller shutters based on Aluprof systems are type-tested in an accredited laboratory.

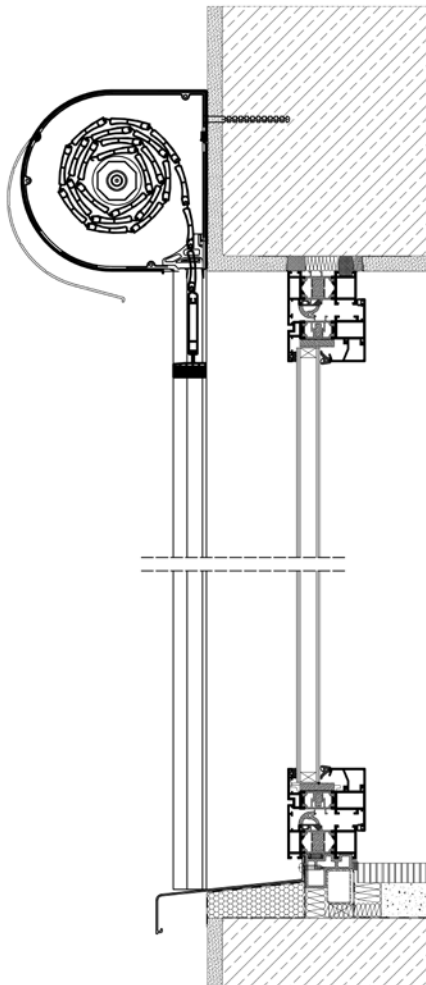


Installation examples in 1-layer wall

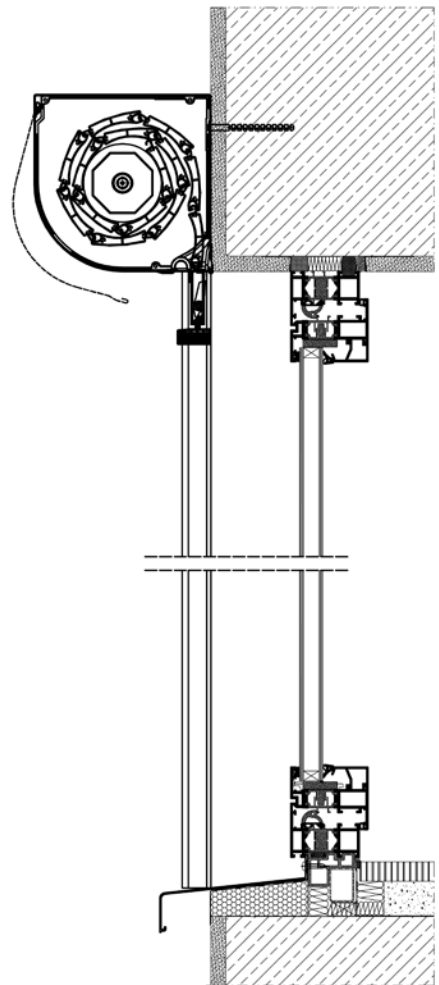
SAFETY PREMIUM - SKE



SAFETY PLUS - SKO

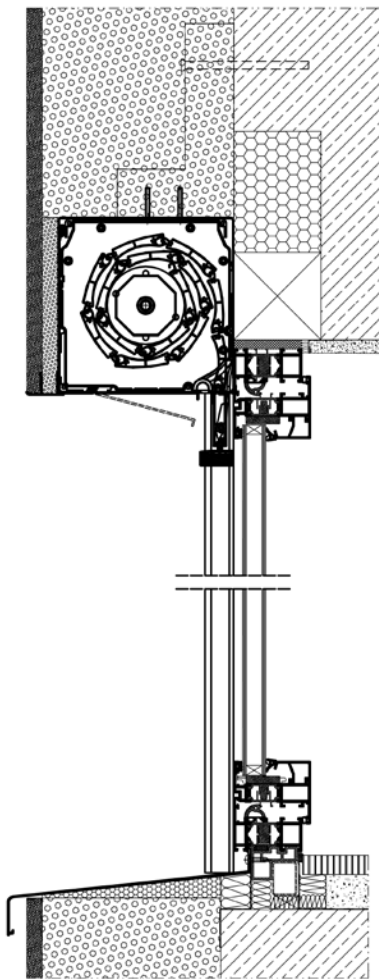


SAFETY PREMIUM - SKP

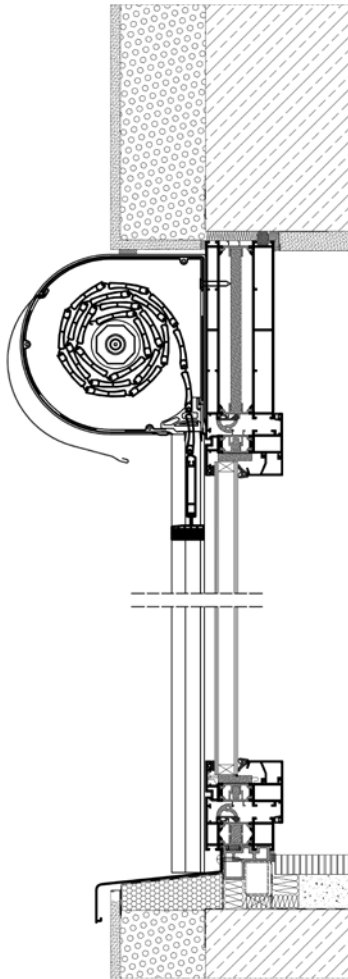


Installation examples in 2-layer wall

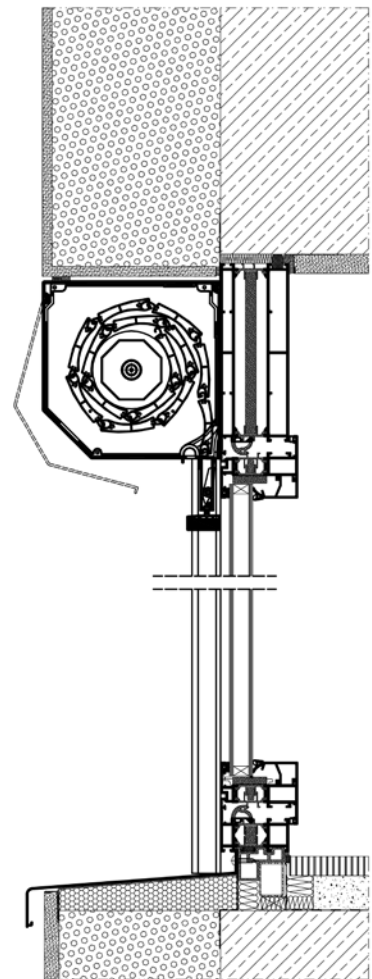
SAFETY PREMIUM - SP



SAFETY PLUS - SKO-P



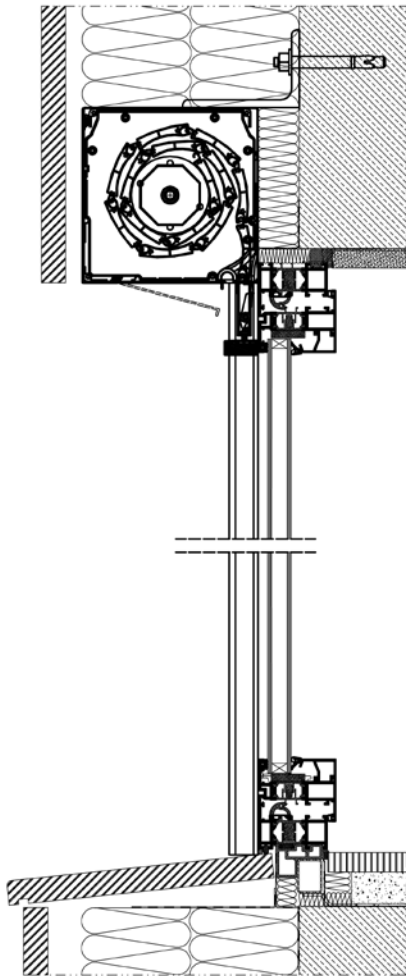
SAFETY PREMIUM - SKE



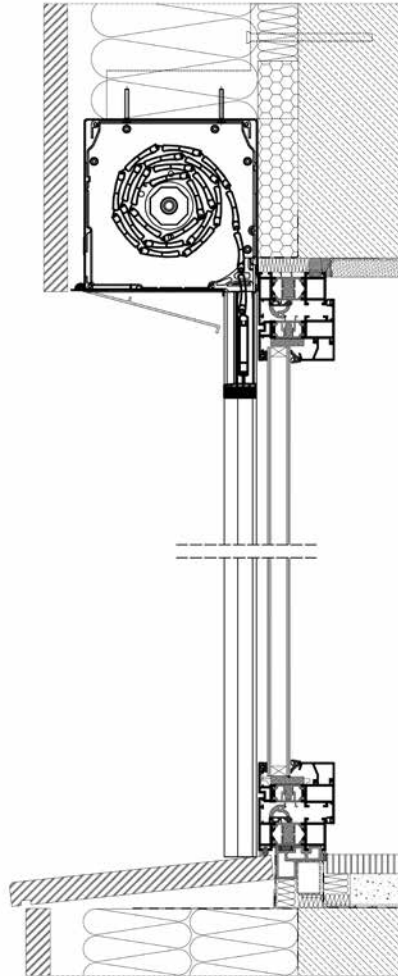


Installation examples in 3-layer wall

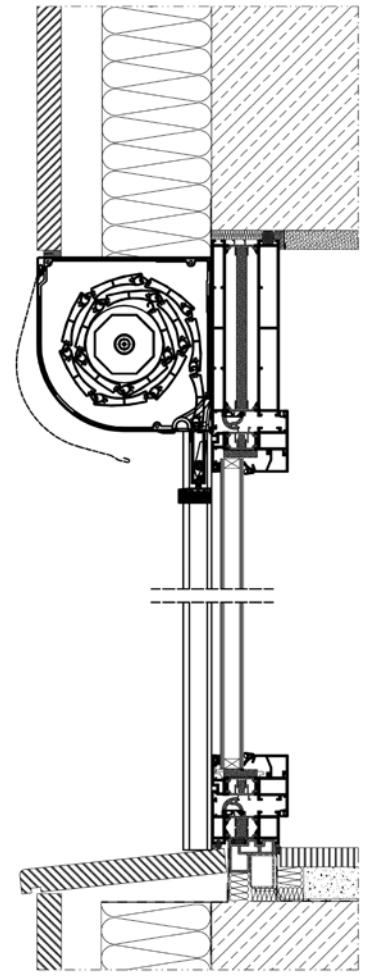
SAFETY PREMIUM - SP



SAFETY PLUS - SP-E



SAFETY PREMIUM - SKP



## BUILT-IN ROLLER SHUTTER SYSTEM

# SDZ

## BUILT-IN ROLLER SHUTTER SYSTEM



SDZ



### Functionality

SDZ system, commonly known as the traditional roller shutter system, is mainly intended for use in existing buildings. This is the perfect solution in case of renovation, when the old roller shutters need to be replaced. Also, this system is often used in newly constructed buildings. At the building's design stage, architects provide the opportunity to replace roller shutters after years of operation.

### Construction details

Specially designed SDZ system allows to quickly and noninvasively install the product to the existing surface. Aluprof offers many construction variants of the system, depending on the components used to match the functionality of the roller shutter and its mode of installation. Roller shutter's curtain consists of profiles made of high quality sheets covered with two-layer PU/PA paint coatings that are highly resistant to abrasion and weathering. There is also an option to use the PVC profiles.

### Comfort operation

Depending on the user preferences, roller shutters can be controlled manually or by an electric drive via a wall-mounted transmitter or a remote control. Smart control via computer, tablet or smartphone is also an option.

### Practical values

Use of external roller shutters in the SDZ system can fully satisfy expectations of investors. They constitute extremely aesthetic and functional tools that can contribute to minimising heat loss, prevent overheating rooms in the summer, but also constitute protection against excessive noise, or simply protect the interior from the eyes of undesirable persons. In addition, special design enables the replacement of roller shutters after years use.

### Colour range

Large selection of colours (standard chart for profiles PA) allow to meet the needs of the most demanding Customers. Woodgrain coatings are also available. Colour coatings on the extruded elements are manufactured using powder coating, which ensures high quality and durability of the product (any RAL colour can be used).



## ROLLER SHUTTERS WITH CURTAIN

# S\_ONRO®

ROLLER SHUTTERS  
SYSTEMS



### Functionality

The Aluprof s\_onro® roller shutters with curtain is designed for use in existing and newly build developments. The curtain profiles can completely exclude external light from a room or other interior space. They can also protect the room from overheating in the sun's rays, while letting in some important amount of light (up to 20% of the curtain surface can be transparent). In addition, their unique form plays a decorative role, providing a definite enhancement to the overall aesthetics of a building.

### Construction details

The curtain is made using highly stable, dihedral, rolled aluminium profiles. They contain a light perforation which fulfils the additional function of facilitating the exchange of air. The volume of light is regulated by closing individual profiles up to the point where a total blackout is obtained inside the room. The standard curtain can be immobilised on both sides and to its full height, which secures the profiles, preventing them from shifting in relation to each other. The state-of-the-art shape of the profiles, with a geometry corresponding to the very latest requirements as regards the permeation of light brings savings on electricity.

### Easy to use

The roller shutters can be controlled manually or by means of an electric drive connected to the control system for ease of use.

### Practical values

The s\_onro® profiles curtain will work without drawbacks in conjunction with roller shutter systems such as the SK, SKP, SKD and SKO-P adaptive systems and the top-mounted systems (SP, SP-E). The degree to which the curtain is open during the day is flexible and can be adapted to suit individual requirements simply by opening or closing it further. When the angle at which the sun's rays are falling exceeds 20°, the s\_onro® profiles prevent any direct sunlight whatsoever from entering the room, while

simultaneously guaranteeing the possibility of seeing out.

### Colour range

S\_onro® profiles are available in the standard colours of silver, white, grey and anthracite grey.

### Requirements

The Aluprof s\_onro® roller shutters with curtain hold initial type testing certification according with the product standard.



## VENETIAN BLINDS SYSTEM

# SKEF

## VENETIAN BLIND SYSTEM



### Functionality

SKEF venetian blinds system is intended for use in existing buildings. The advantage of these products is that they do not require any special pre-installation preparation nor works to the existing structure as they are not integrated with the window. Buyers can thus decide to install the front-mounted roller shutters at any time. These solutions can be mounted to the window joinery (in the recess) or directly on the wall. In the first case.

### Construction details

The construction of the systems is made of extruded aluminium that ensures its durability and resistance to abrasion and weathering. Using any RAL colour allows for a perfect colour match for visible elements of the façade or window frame. The box of the SKEF system is cut at an angle of 45° and due to its specially design construction is more durable and resistant to weathering.

### Practical values

Prefabrication is very easy - non - invasive installation of venetian blind rail eliminates the need for drilling keeping the product aesthetic. Specially designed guide channels provide a consistent functioning. SKEF system is an universal solution that can be used for installation of venetian blinds using slats in size from 50 - 80 mm. Moreover SKEF system allows to equip venetian blinds with an insect screen, which provides effective protection against insects while maintaining the flow of light and fresh air

to interior spaces.

### Colour range

A wide range of standard colors will satisfy the most demanding customers.

The color coats are applied with the following methods, depending on customer needs: powder coating and Decoral paints.





### Functionality

Venetian blinds are highly functional solutions that effectively protect interiors against excessive heat while providing appropriate optical comfort. As a result, the use of air-conditioning equipment is limited, which reduces costs, resulting in large savings over the year. There are 3 product variants available: SZF/P under plaster blind and SZF/BX, SZF/S self-supporting blind and SZF/A adapting blind. Therefore, the decision to install this type of solutions can be made at every stage of the investment, also in existing buildings.

### Construction

The blind slats are made of aluminium sheet and are available in two shapes: "C" and "Z". The former are turned inwards on both sides, which guarantees rigidity and wind resistance. In addition, they have a rotation range of 0-180 degrees. The Z-shaped slats, on the other hand, provide more complete shading due to their design and are additionally equipped with a special soundproofing seal. Their rotation range is from 0 to 90 degrees. The blinds are covered with a cassette which, depending on the selected option, may be made from 1.2 or 2.0 mm thick aluminium sheet or extruded aluminium. The guide channels, as the only solution

of this type available on the market, are equipped with special seals eliminating the noise that can arise when the slat hits the guide channel. There are two types of pins available in the offer: steel and PVC.

### Advantages

Due to the slat angle adjustment function, it is possible to select the appropriate degree of shading, which allows the user to manage it individually according to his individual needs. In addition, the well-thought-out construction makes it possible to create larger size blinds, which makes them often used for large glazed areas. This makes these products ideal for both public buildings and residential developments.

### Operation simplicity

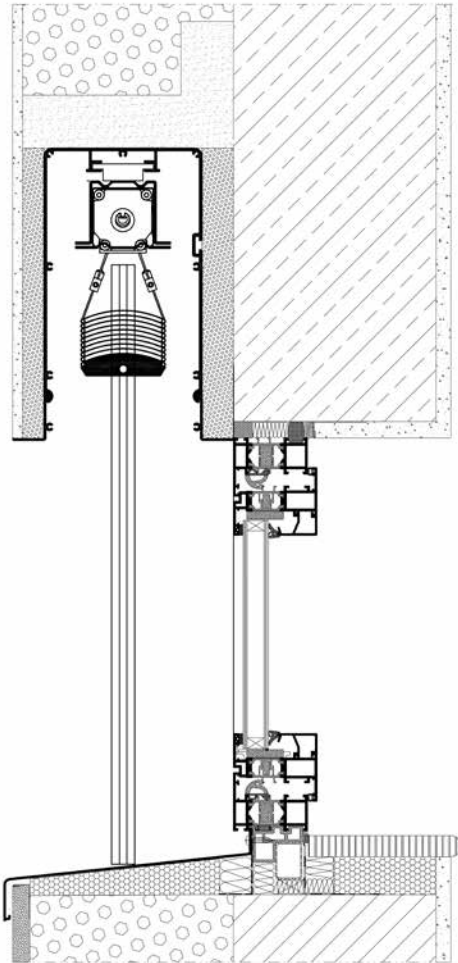
Electrical control not only ensures comfort of use, but also lowers the building's operating costs, while ensuring the appropriate indoor microclimate. Due to the use of various accessories, such as weather sensors (wind, solar, etc.) or time automation, we can create scenarios tailored to our needs, and what is more, we can remotely manage our blinds from any place and at any time using tablets or smartphones.

### Colour palette

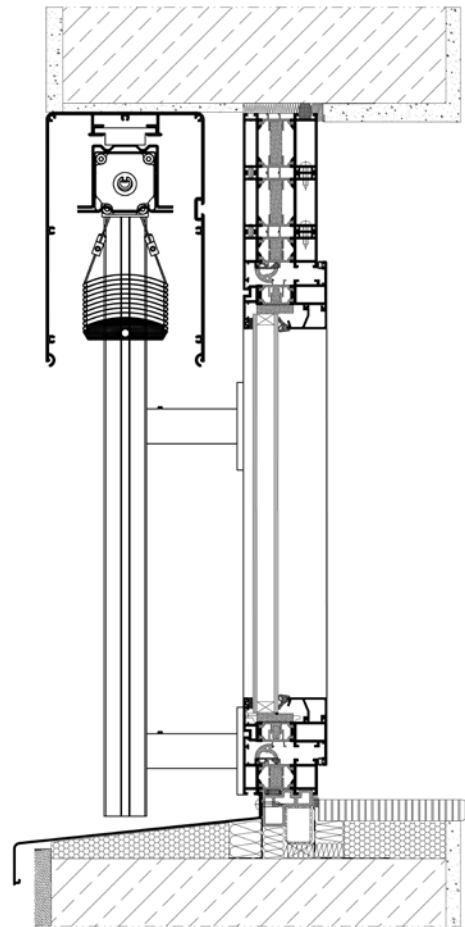
The colour palette of venetian blind slats available in the offer will certainly satisfy all needs of the most demanding customers. Colour coatings of extruded elements are made by powder coating, which ensures high quality and durability of the product.

Example of SkyFlow venetian blinds installation

SkyFlow SZF/P  
(under plaster)

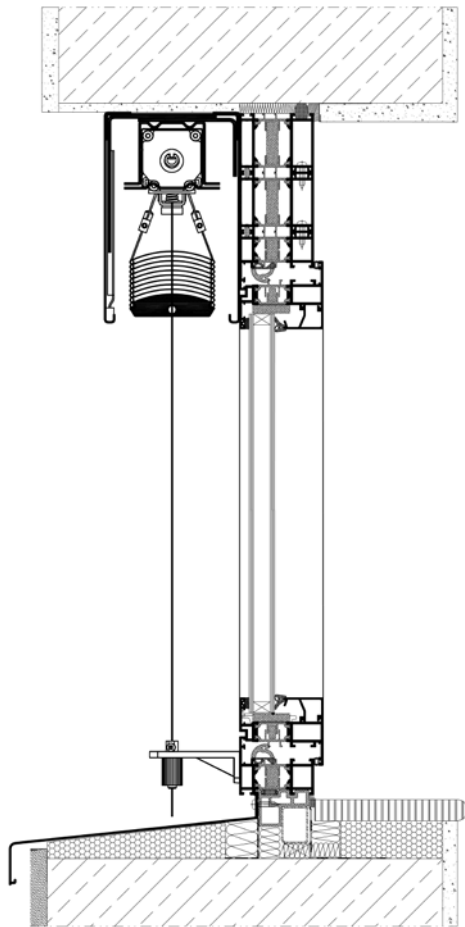


SkyFlow SZF/S  
(self-supporting)

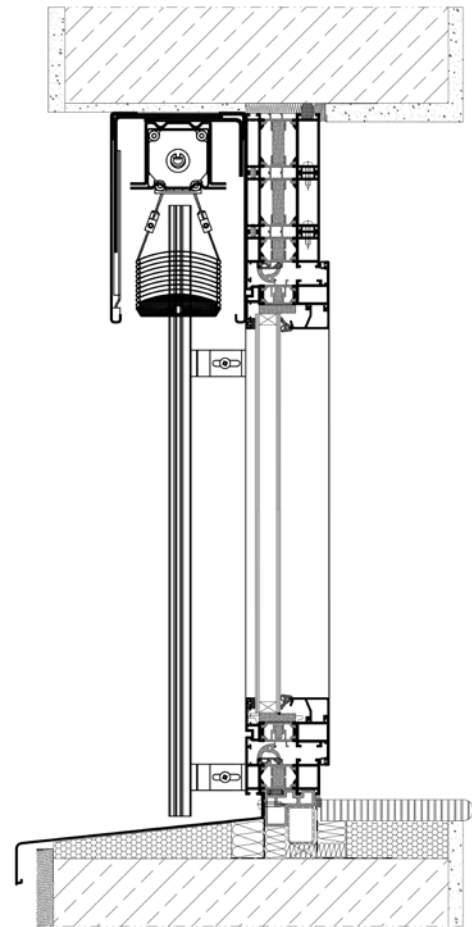


Example of SkyFlow venetian blinds installation

SkyFlow SZF/A  
(adapting with a rope)



SkyFlow SZF/A  
(adapting with guide channels)



## SCREEN-TYPE SUN PROTECTION SYSTEM

# SKYROLL

VENETIAN BLINDS  
AND SCREENS



### Functionality

Screens are modern and very functional solutions which are eagerly used both in public buildings and in residential construction. They are also perfect as a protective element on balconies, gazebos or pergolas. There are three systems available in Aluprof offer: SkyRoll Zip, SkyRoll Classic and SkyRoll Eco. Therefore, the decision to install this type of solutions can be made at every stage of the investment, also in existing buildings.

### Construction

The available screen solutions differ in detail design and are available as under plaster, adapting (visible box) and top-mounted (system mounted directly on the window frame, built-in; not applicable to the ECO version). SkyRoll ZIP is an innovative product due to the use of technology borrowed from the zipper mechanism on the edges of the fabric. Specially designed two-part guide channels are thus directly integrated into the fabric, which guarantees maximum sealing and protection of the interior against insects. The fabric is properly tensioned and stably fixed in the guide channel, which protects it especially against gusty winds. SkyRoll CLASSIC is the most popular solution in the screen family, where there is no direct integration of the fabric with the guide channel. SkyRoll ECO, on the other hand,

is a low-budget product for less demanding investors. A characteristic feature of the blind is its manual control using a spring system. An intuitive mechanism ALU-CLICK for convenient closing and opening of the insect screen is applied here, which makes the use very simple and does not require a lot of effort.

### Advantages

Screens are very functional solutions which are eagerly used both in public buildings and in residential construction. The main advantage of this type of product is the protection of rooms from intense sunlight through the use of specialised technical fabrics. In addition, they protect the interior from the gaze of unwanted people while maintaining good visibility to the outside. These solutions also provide an effective optical barrier to light entering the room, minimising the glare effect that can occur on monitor screens. Owing to properly selected fabric they are also a stylish accessory that will give the object a unique character: SkyRoll ZIP and SkyRoll ECO, due to their well-thought-out construction, can also be used as an insect screen, protecting interiors from insects.

### Operation simplicity

Electrical control available for ZIP and CLASSIC options not only ensure comfort of use, but also lower the building's operating costs, while ensuring the appropriate indoor microclimate. Due to the use of various accessories, such as weather sensors (wind, solar, etc.) or time automation, we can create scenarios tailored to our needs, and what is more, we can remotely manage our blinds from any place and at any time using tablets or smartphones.

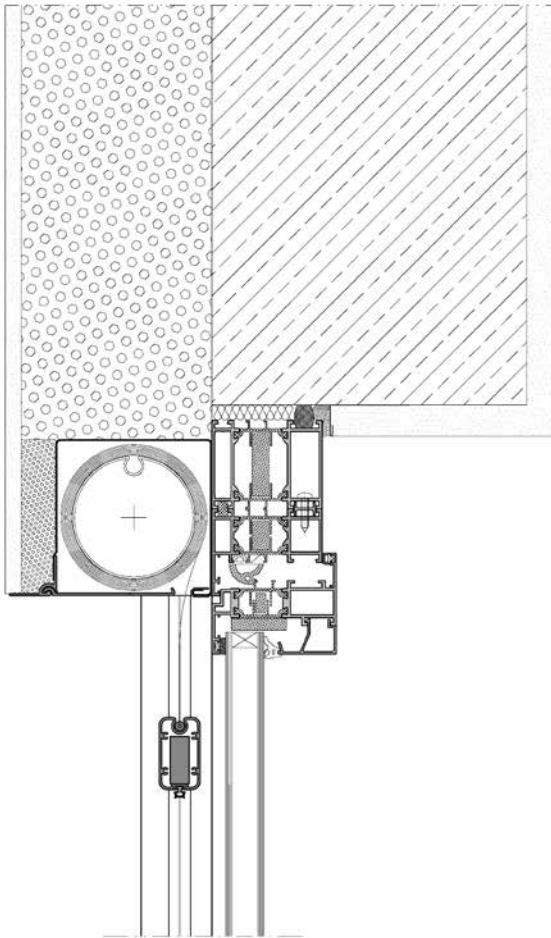
### Colour palette

The colour palette of screen constructions available in the offer will certainly satisfy the needs of the most demanding investors, allowing for their colour matching with the window woodwork or façade.

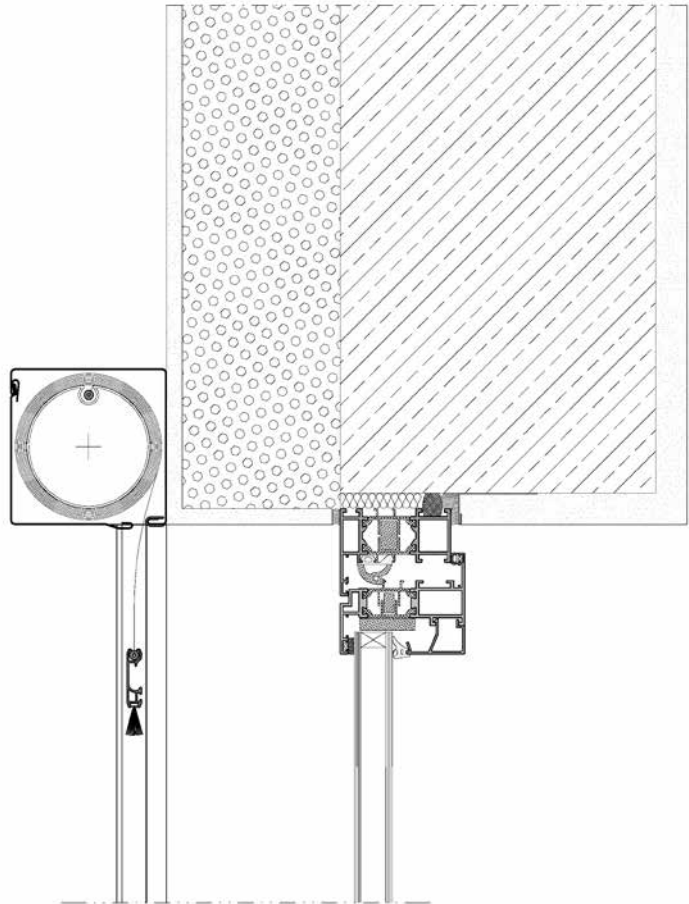


Examples of screen installations

SkyRoll ZIP  
(under plaster variant)

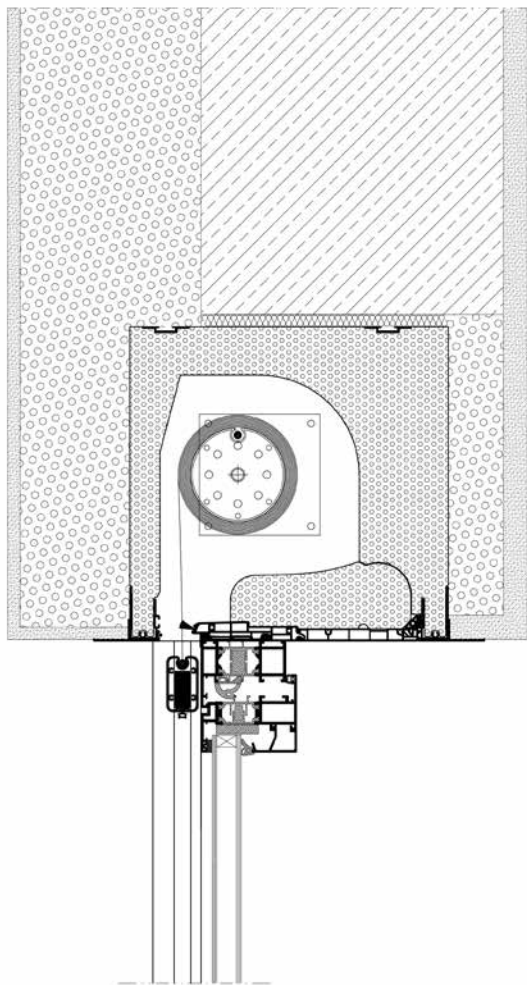


SkyRoll ECO  
(adapting variant)

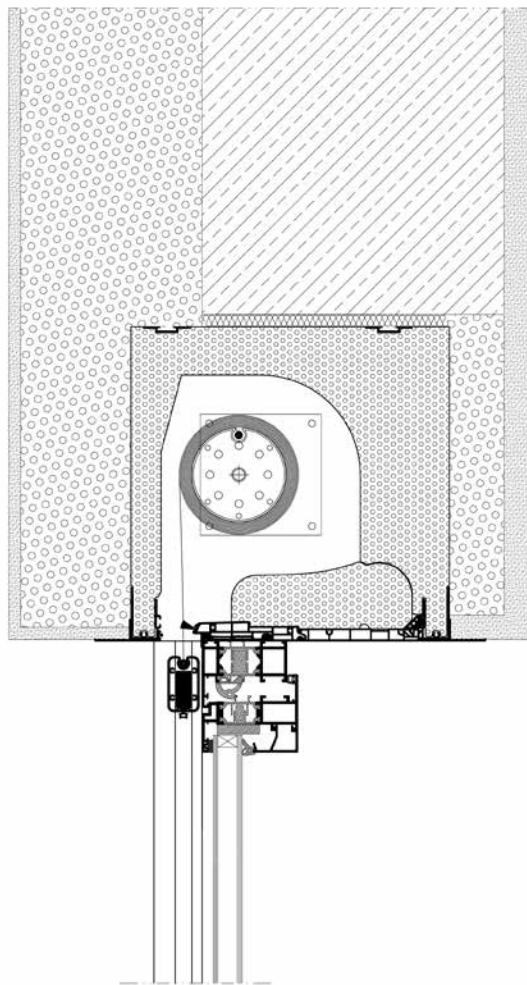


Examples of screen installations

SkyRoll ZIP  
(under plaster variant)



SkyRoll ECO  
(adapting variant)





MB-OpenSky 120 is a unique product that perfectly fits in with the trends of modern construction and is characterised by its high durability and high quality of details. The use of an innovative method of fitting profiles has ensured the stability of the entire system, as well as aesthetically pleasing connections with invisible gaps.

The roofing of the MB-OpenSky 120 pergola is a module made up of movable slats (two shapes available), equipped with a mechanism enabling smooth change of its inclination angle from 0 to 135° on the axis. The transmission mechanism, equipped with an automatic adjustment system, allows rapid installation on-site and easy and problem-free adjustment of the individual slats. The clever design of the MB-OpenSky 120 pergola makes it durable and resistant to weather conditions.

MB-OpenSky 120 pergola is resistant to weather conditions. The product has been equipped with a gabled drainage system, allowing rainwater to be effectively drained from the roof inside the entire surface of the column (water discharge capacity of up to 57 l/min). Tests have shown that for maximum dimensions, i.e. length 6 m ×

width 4 m × height 3 m, the permissible snow load is 72kg/m<sup>2</sup> and a simultaneous wind load of around 110 km/h.

#### Comfort of use

The MB-OpenSky 120 pergola is equipped with an electric drive that allows the use of SMART technology control devices from various manufacturers, including Somfy. Pergola can be operated using a remote control, a switch, a mobile phone app or the desired scenario programmed into a smart home control system. The pergola can also be fitted with further accessories

#### Utility values

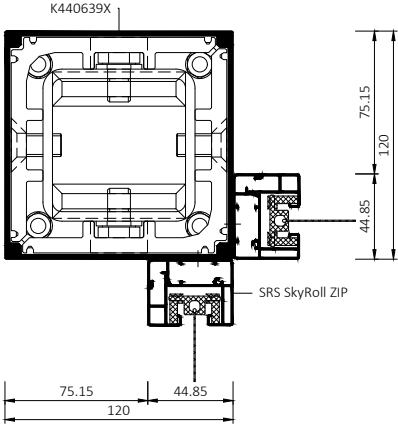
The clever design of the MB-OpenSky 120 pergola allows for any arrangement. It is possible to incorporate side screens such as screens, sliding glass panels or both solutions at the same time. In this way, we can create a unique atmosphere in a natural setting regardless of the prevailing weather conditions. What's more, the product also has the option of LED lighting. The lighting has been designed to work non-invasively with the roof slats. The available solution provides for its installation in the form of an LED strip both in the roof slat (linear for SLIM

slats, punctual for STANDARD slats) and along the outline of the structure. In addition, a special revision in the rafter makes it possible to install radiant heaters.

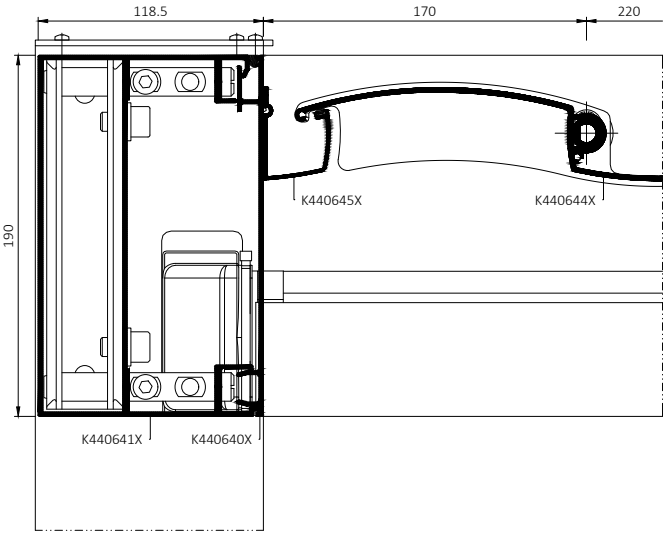
#### Color palette

The extruded aluminium structure can be coated with any colour from the RAL palette. It can also be coordinated with the joinery of a building's window and/or façade. Up to 12 colours are available in the standard palette. The powder coating technology ensures the durability and strength of the coating for many years of use.

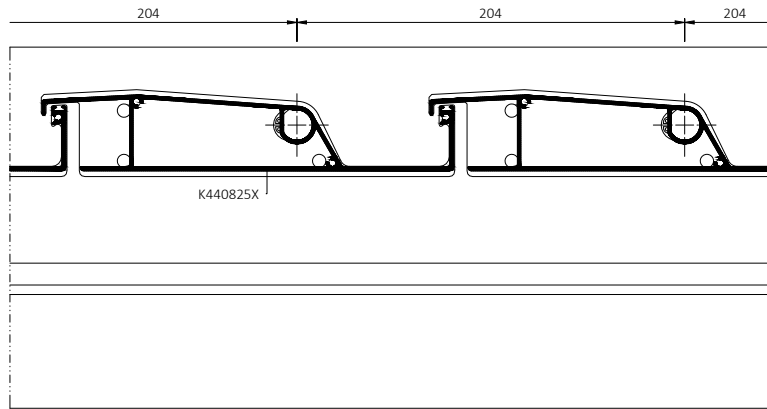
Cross section of a mullion



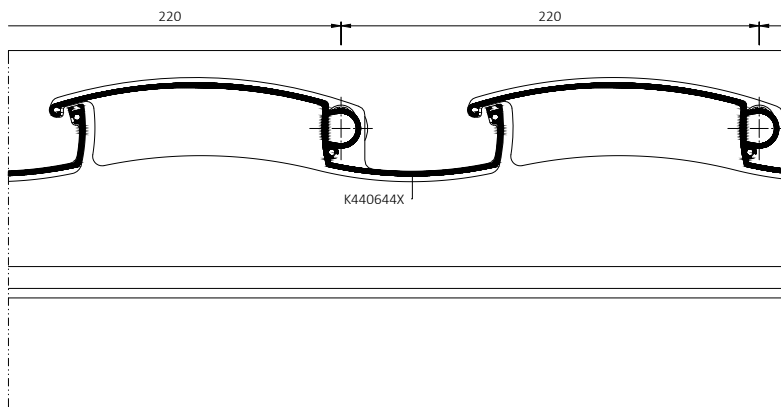
Cross section of a purlin and the roofing



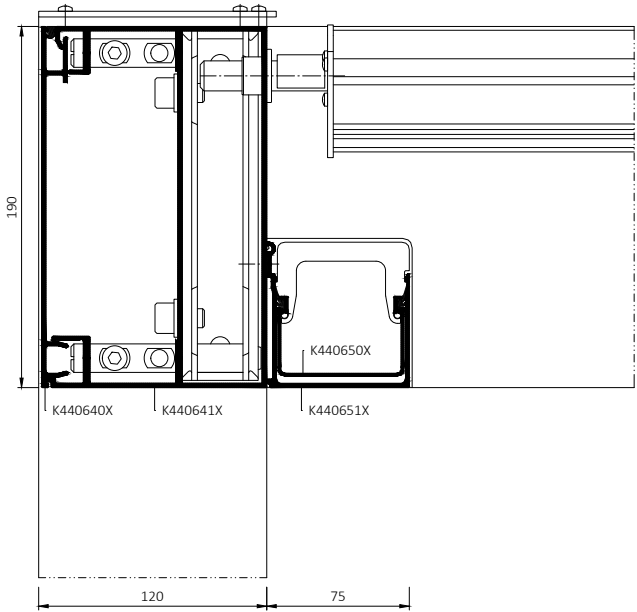
Cross section of the roofing



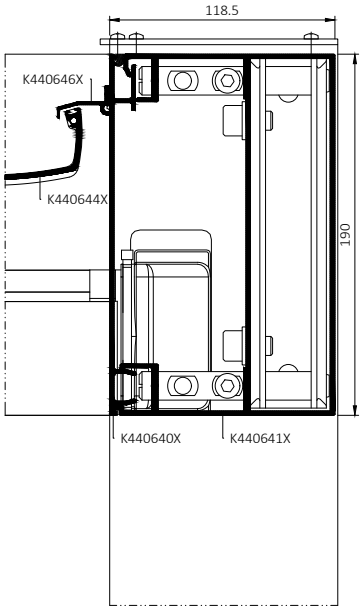
Cross section of the roofing



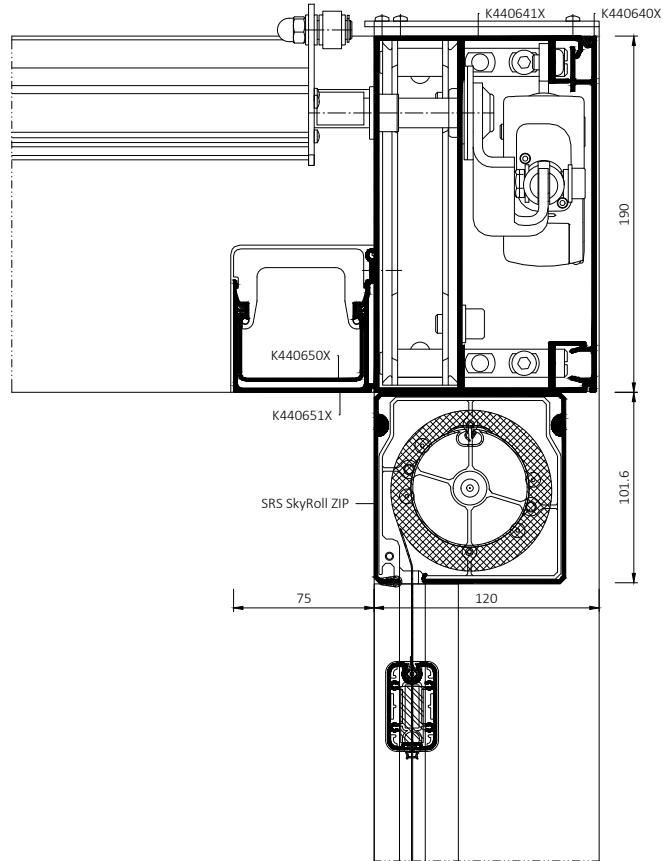
Cross section of a rafter



Cross section of a purlin and the roofing



Cross-section through the rafter  
and the SkyRoll sunshade box





Pergola is a modern and extremely functional solution, used as roofing for terraces or separate garden areas, which, depending on the needs and creativity of the user can find a number of applications.

The MB-OpenSky 140 structure is made of extruded aluminium, which guarantees its durability for years. The supporting posts are extremely tough and their geometry provides exceptional rigidity. The profiles of the posts and purlins are connected by means of C and L type joints. An innovative method of spacing the profiles with custom-designed cleats makes it possible both to ensure the stability of the entire system and to create an aesthetic connection with no visible gaps. The canopy is formed by a module composed of movable slats and fitted with a mechanism for changing their angle on an axis from 0 to 135°. The slats feature tailor-made seals for protection against rainwater and there is a drainage system located in the posts. This ensures that water is efficiently fed through gutters and downpipes to the storm drain.

The product meets the conditions for resistance to snow load and strong wind gusts. Tests carried out on the system showed that, for structures with the dimensions of 6 m length × 4 m width × 3 m height, the permissible snow load

is 200 kg/m<sup>2</sup>, which corresponds to a covering of snow approximately 1000 mm deep and a simultaneous wind load of around 59 mph.

The product is available as a free-standing and wall-mounted version, with a special console for wall insulation. It is possible to use the two-nave option, which allows to increase the usable area. The maximum dimensions of one section are 7 m length × 5 m width × 3 m height.

#### Comfort of use

The MB-OpenSky 140 pergola is equipped with a fully electric roof-control mechanism that is completely concealed in the structure. The angle of the slats can be smoothly adjusted to anywhere between 0 and 135°, which provides full control not only of how much sunlight is allowed in but also of the natural ventilation. The mechanism can be operated using a remote control, a switch, a mobile phone app or the desired scenario programmed into a smart home control system. The pergola can also be fitted with further accessories, including a wind sensor, a rain sensor and/or a sun sensor, all of which significantly enhance user comfort. If side blinds or panels are used, they can be fully integrated into the roof control system. This means that the entire pergola can be controlled via one device.

#### Utility values

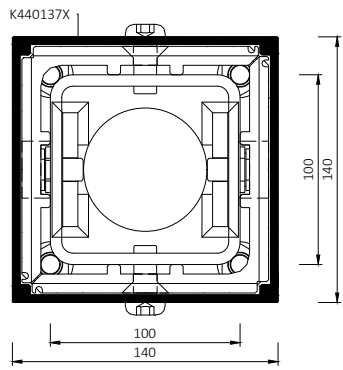
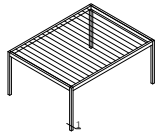
The ingenious design of the ALUPROF MB-OpenSky 140 means that side blinds or sliding glass panels can be fitted. This opens up the possibility of creating a unique atmosphere, surrounded by nature, no matter how the weather is. The pergola can also be equipped with LED lighting tailored to work without affecting the roof slats and heating unit. The solution provides for it to be installed in the form of a LED strip on the roof slats and a spotlight, together with additional lighting, around the upper edge.

#### Color palette

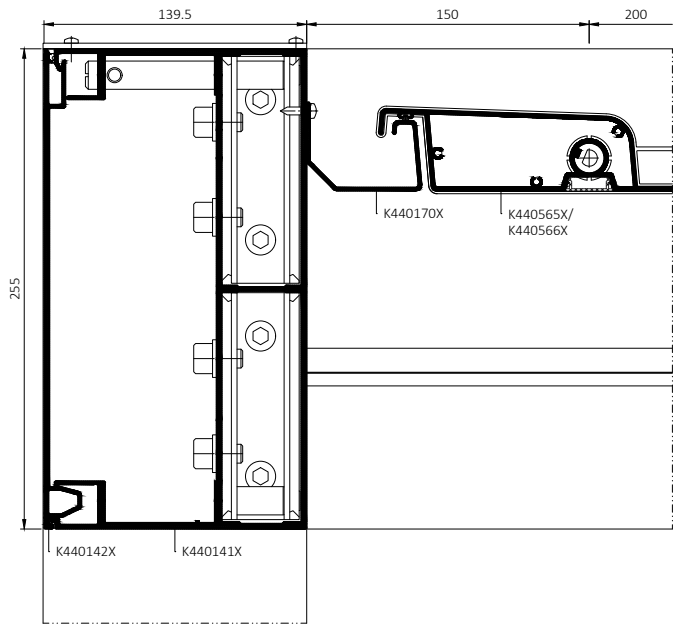
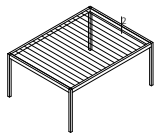
The extruded aluminium structure can be coated with any colour from the RAL palette. It can also be coordinated with the joinery of a building's window and/or façade. The powder coating technology ensures that the coating is tough and will endure for years.



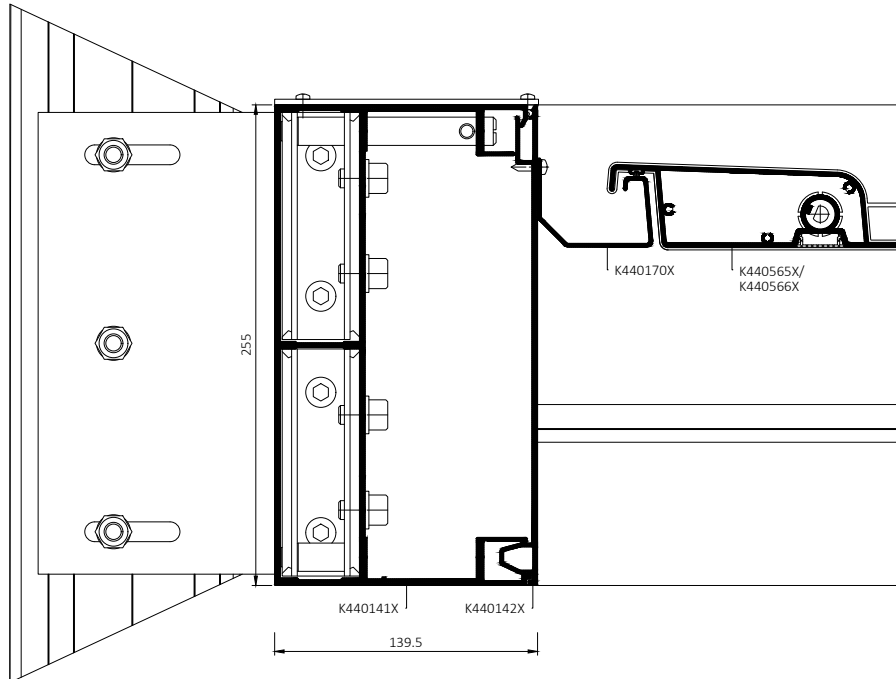
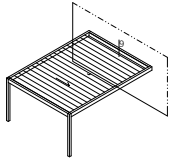
Cross section of a mullion



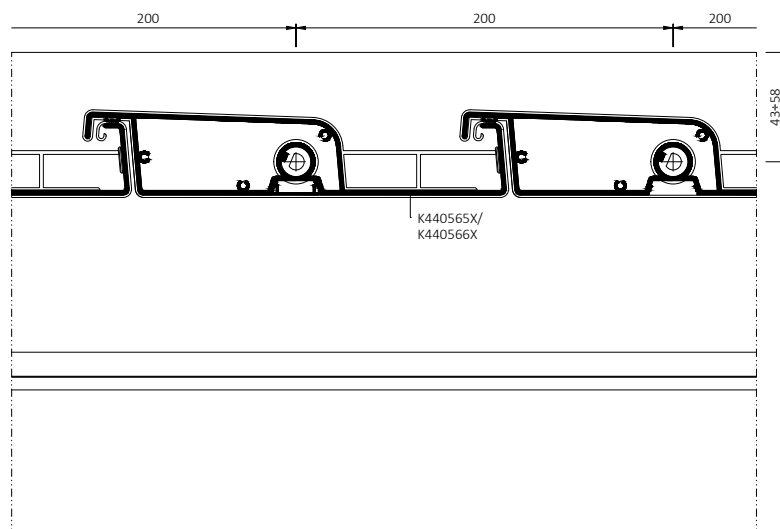
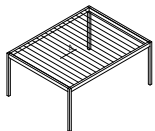
Cross section of a purlin and the roofing



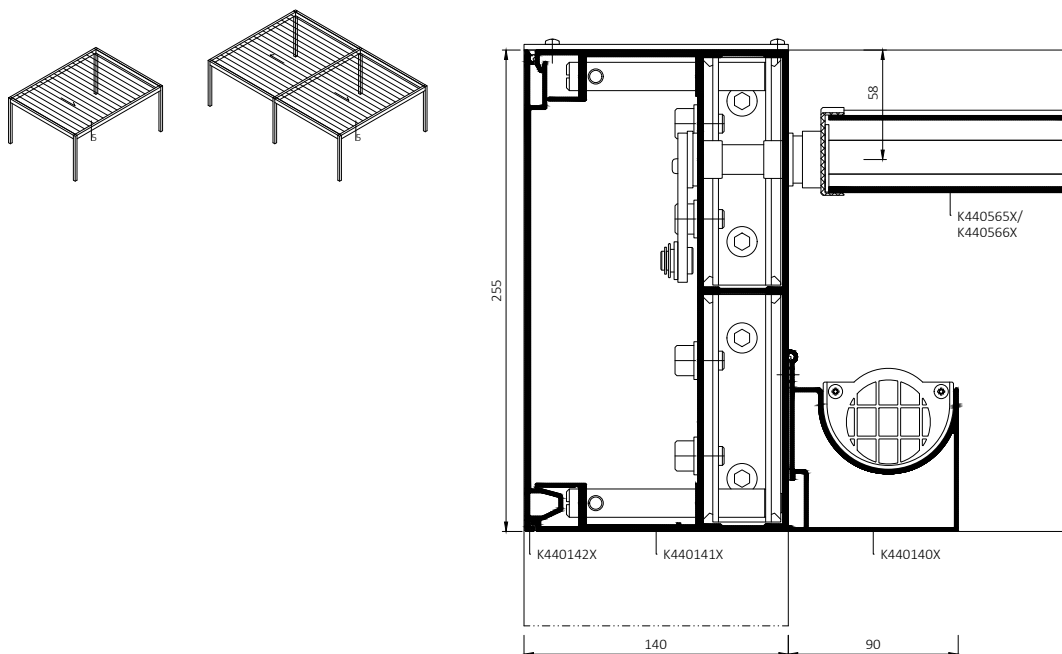
Cross section of a purlin attached to a wall



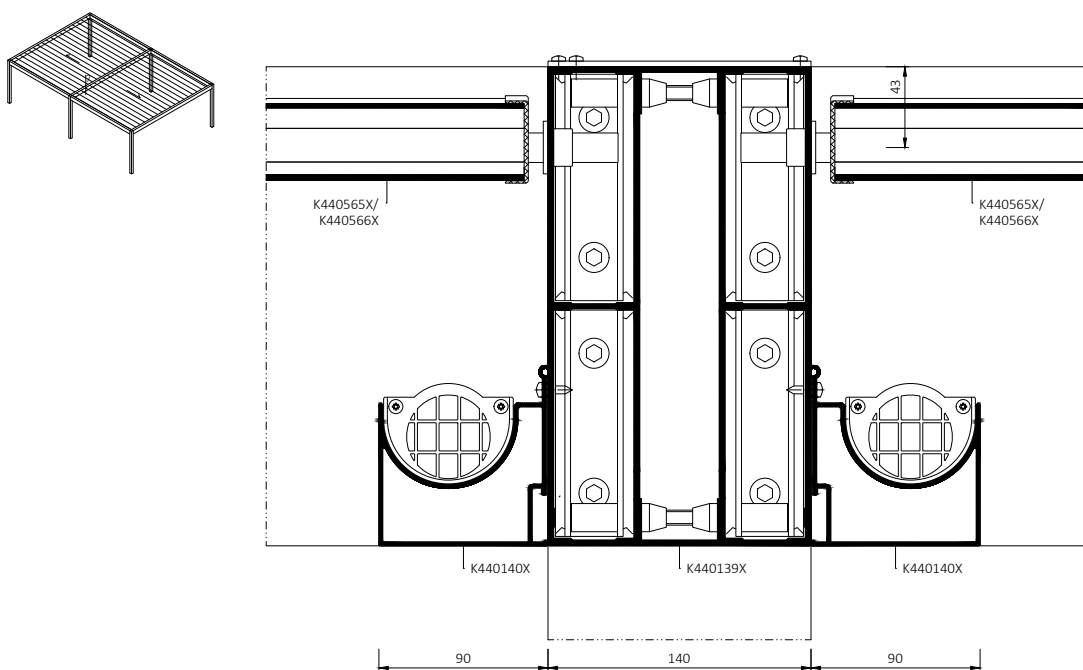
Cross section of the roofing



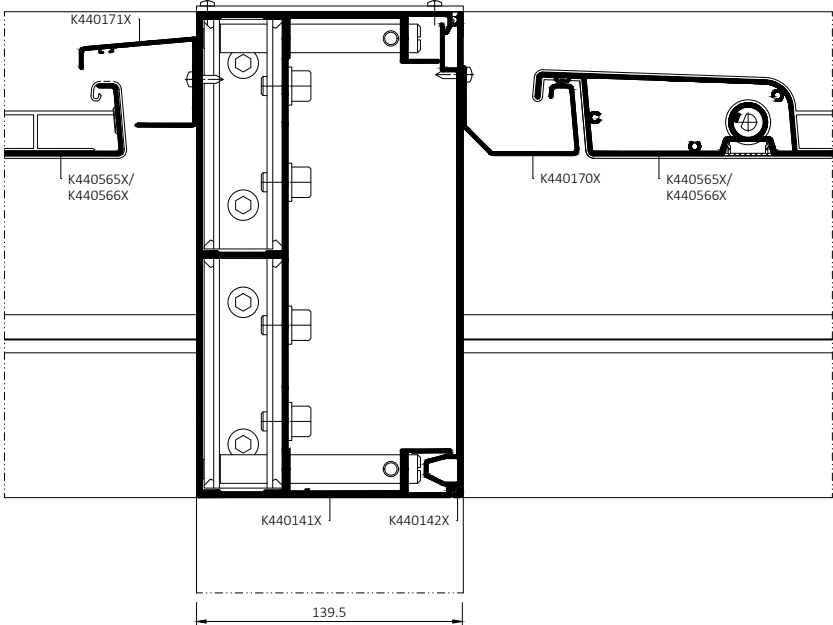
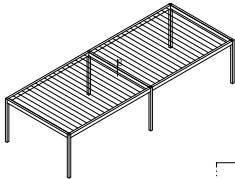
Cross section of a rafter



Cross section of the central rafter



Cross section of the central purlin



## INSECT SCREEN SYSTEM

# MPH HARMONY

INSECT SCREEN  
SYSTEM



### Functionality

Pleated insect screen system MPH is a solution primarily designed with the aim of providing space savings. This product is ideal for installation on the patio doors and balcony niches, where the width reaches up to 4 m.

### Construction

The insect screen is made of extruded aluminium, which makes it durable and resistant to weather conditions, and in addition it can be varnished in any RAL colour. The use of special pleated mesh, which when closing arranges in a zigzag pattern and hides in the side profile is a characteristic feature of this product. Thus, the insect screen takes up little space allowing optimal use of the surface. Importantly, it does not impair, in any way, the functionality of the door and does not obstruct visibility to the outside. An advantage of this solution offered by Aluprof is the possibility of separate tension control of each of the ropes controlling the insect screen, which guarantees its stable arrangement.

### Operation simplicity

The MPH system is characterized by an extremely smooth movement, which makes its use very simple and does not require much effort. In addition, the construction of the insect screen allows to stop it in any position. The advantage of this solution is also the low threshold that does not hinder in any way the passage.

### Advantages

The well-considered construction of the insect screen and good selection of materials provide excellent protection against insects, without reducing the amount of light and air. Moreover, the pleated insect screen Harmony has been designed to smoothly work with the Aluprof roller shutter systems with the guide channel PPMO 53.

### Colours

A large selection of standard colours meets the requirements of the most demanding customers. Colour layers are applied using the following methods powder lacquer technology, depending on the customer's request: powder coating and Decoral.



The insect screen construction is made of extruded aluminium, which guarantees its durability and strength



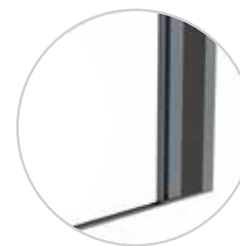
The possibility of separate tension control of each of the ropes controlling the insect screen, which guarantees its stable arrangement



The possibility of achieving large widths up to 4 m



The use of low threshold allows free passage of users



The pleated mesh when closing arranges in a zigzag pattern and hides in the side profile, which guarantees considerable space savings

# THE SLIDING INSECT SCREEN

# MRP

## INSECT SCREEN SYSTEMS



MRP



### Functionality

The system of mosquito screens with a sliding frame protects rooms against insects and is used in large, glazed niches of buildings, terraces and conservatories. The screen panel slides between the upper and lower guide. The lower section includes a roller with a mechanism for the smooth adjustment of the tilt angle for each leaf. Additional reinforcement, mounted by snap joints, makes it possible to install larger frames.

### Construction details

The frames and guides are made of strong extruded aluminum profiles with a modern shape, finished with a coat of increased resistance to abrasion and weathering. The shape of the main profile eliminates the need for additional brackets. The frame and leaf of the screen are fixed with internal corner joints. The mosquito screen can be installed in a three section version.

### Comfortable operation

The mosquito screen with a sliding frame is fixed directly to the frame or jamb. A wide range of guides allows the use of different installation versions on all types of windows and frames, without blocking the external roller blinds.

### User properties

The well-thought out design of the mosquito screen and properly selected materials provide effective protection against insects, without blocking the light and air. Each screen leaf is additionally sealed with brush weatherstrips.

The system also includes a braking device to slow down the roller close to the extreme position and a stopper to prevent the screen from hitting the guide.

### Color palette

A wide range of standard colors will satisfy the most demanding customers.

The color coats are applied with the following methods, depending on customer needs: powder coating and Decoral paints.



Optional installation in three rows.



The guide is used to position and secure the leaf.



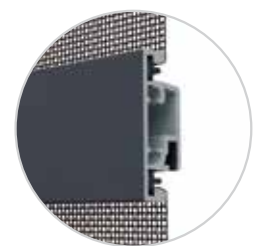
The frame and leaf are fixed with internal corner joints offering high durability and an aesthetic finish.



Each leaf is provided with a brush seal.



The solution with a low rail makes this product work perfectly with sliding doors with the so-called low-level threshold.



Additional reinforcement of a framed screen is installed by the use of snap joints, so the surface of a leaf can be easily expanded.

# THE SWING INSECT SCREEN

# MRO

INSECT SCREEN  
SYSTEMS



### Functionality

Mosquito screens with opening frames excellently protect rooms against insects without having any impact on the operation of the balcony door. The frame can be fixed using internal aluminum corner joints of a snap or screw type (set screws). Additional reinforcement, mounted by snap joints, make it possible to install larger frames.

### Construction details

The frame profile is made of strong extruded aluminum profile with a modern beveled shape that nicely matches current door frames.

### Comfort operation

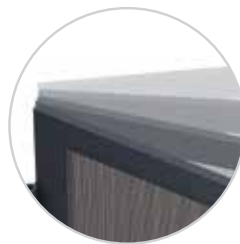
The mosquito screen with an opening frame is installed directly onto the door frame using hinges with a door closer, with a simple design allowing the adjustment of the spring tension with an Allen key. The infill panel in the lower section of the leaf protects the net against damage when opening.

### User properties

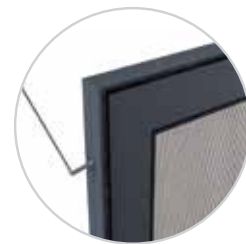
The well-thought out design of the mosquito screen and properly selected materials provide effective protection against insects, without blocking the light and air. The screen is equipped with a handle for opening and a magnet for keeping the closed position, as a standard.

### Colour scheme

A wide range of standard colors will satisfy the most demanding customers. The color coats are applied with the following methods, depending on customer needs: powder coating and Decoral paints.



A hinge with a closer allows easy control of the spring tension using an Allen key. It is possible to install the hinge in two planes. The system has been patented.



Easy installation of the frame with an internal corner joint and set screws.



Two opening variants available: "ergonomic" and "aesthetic" or a specially designed, joining profile allow to open and close the mosquito net from both inner and outer part of the casement.



Two different heights of the cavity slab of in the lower part of the casement protect the screen from opening-induced damages.

## INSECT SCREEN SYSTEM

# MPH HARMONY VERTI

INSECT SCREEN  
SYSTEM



### Functionality

The insect screen system MPH HARMONY VERTI complements the offer of pleated insect screens and was designed primarily for installation on standard and roof windows.

### Construction

The use of a special pleated mesh, which when closing arranges in a zigzag pattern and hides in the upper profile is a characteristic feature of this product. The main advantage of the new system is the possibility of tensioning each of the cords guiding the insect screen net, which allows for its precise and even layout. It is available in several sizes, so called sets, which, depending on the needs, can be cut symmetrically, thus adjusting the pleats to the size of the window. The construction of the insect screen is made of extruded aluminium guaranteeing its durability, and is based to a large extent on components of the MPH HARMONY system. Maximum size of the new insect screen is 2300×2000 mm.

### Operation simplicity

Closing and opening of the insect screen is very easy and smooth, thanks to the system of springs installed in the bottom profile. The tensioning elements have been aesthetically hidden under a special masking profile, which can be detached and clipped in at any time. The sliding profile of the insect screen, thanks to the designed recess, allows for convenient opening and closing. It is also possible to stop the insect screen at any time.

### Advantages

The well-considered construction of the insect screen and good selection of materials provide excellent protection against insects, without reducing the amount of light and air. Moreover, the pleated insect screen does not obstruct visibility to the outside.

### Colour scheme

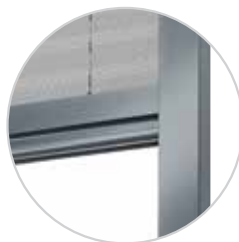
A large selection of standard colours meets the requirements of the most demanding customers. Colour layers are applied using the following methods on the customer's request: powder coating and Decoral.



The construction of the insect screen is made of extruded aluminium which ensures its stability and resistance to weather conditions



The possibility of separate tension control of cords controlling the insect screen, which guarantees its stable arrangement



Specially designed recess in the sliding profile allows convenient opening and closing of the insect screen



The tensioning elements in the form of a system of springs have been aesthetically hidden under a special masking profile, which can be detached and clipped in at any time



# ROLLER INSECT SCREEN SYSTEM

# MZH

## INSECT SCREEN SYSTEMS



MZH



### Functionality

The system MZH for roll-up insect screen is a modern and fully functional solution designed primarily for installation on roof windows. Extremely versatile, MZH is also well suited for mounting on vertical windows. With the use of specially designed channels with offset, MZH-based insect screen can also be mounted on windows with outer sill that usually prevents the standard, direct installation to the window frame.

### Construction details

The construction is made of extruded aluminium and is mainly based on components of the system MZN. This solution enabled to use i.a. a bottom strip and channels that perfectly match a specially designed swing hook. With this innovative solution, it is now possible to block the bottom strip on the roof windows from the inside.

### Comfort of operation

The carefully formed hook shape enables to efficiently click-in and click-out the bottom strip, which makes the use of this fly screen straightforward and simple. What's more, the hook provides additional sealing to the bottom part of the fly screen, so there's no need for additional gaskets.

### User properties

The well-thought out design of the mosquito screen and properly selected materials provide effective protection against insects, without blocking the light and air. The screen is equipped with

a handle for opening and a magnet for keeping the closed position, as a standard.

### Colour scheme

A wide range of standard colors will satisfy the most demanding customers. The

color coats are applied with the following methods, depending on customer needs: powder coating and Decoral paints.



Small-size, semi-oval cassette of extruded aluminium.



Hook shape enables to efficiently click-in and click-out the bottom strip.



With this innovative solution, it is now possible to block the bottom strip on the roof windows from the inside.



The hook provides additional sealing to the bottom part of the insect screen.

# ROLLER INSECT SCREEN SYSTEM

# MZN

INSECT SCREEN  
SYSTEMS



### Functionality

The independent roll-up insect screen system is an excellent and extremely tight solution that secures interior spaces against insects with the possibility of closing and opening at any time. This is a very aesthetic and modern solution, which, thanks to its small box fits perfectly in any recess.

### Construction details

Structural elements of the screen (box, rails, endslat) are made of extruded aluminium, which ensures durability and resistance for many years of use. A special clip helps adjust the height of the mesh closure. Installing the system to the lintel is very fast and simple, thanks to the aluminium catch, which is also painted in the colour of the box. In addition, it is possible to use a restrictor, allowing the gentle and noiseless closure of the endslat to the box. The system is very practical, especially that it uses, to the maximum extent, other insect screen system components that are offered by Aluprof.

### Comfort operation

The roll-up insect screen system is an excellent and extremely tight solution that secures interior spaces against insects with the possibility of closing and opening at any time. A novelty in the offer is an intuitive mechanism ALU-CLICK for convenient closing and opening of the insect screen, which makes its use very simple and does not require a lot of effort. When closing it is enough to gently close the bottom endslat of the insect screen. If you want to open it, press on the

endslat, which opens automatically.

### User properties

The well-thought out design of the mosquito screen and properly selected materials provide effective protection against insects, without blocking the light and air. The screen is equipped with a handle for opening and a magnet

for keeping the closed position, as a standard.

### Colour scheme

A wide range of standard colors will satisfy the most demanding customers. The color coats are applied with the following methods, depending on customer needs: powder coating and Decoral paints.



Small-size, semi-oval cassette of extruded aluminium.



Endslat of extruded aluminium with sealing gasket to the windowsill / window frame.



Sealing gasket mounted at the top of the box.

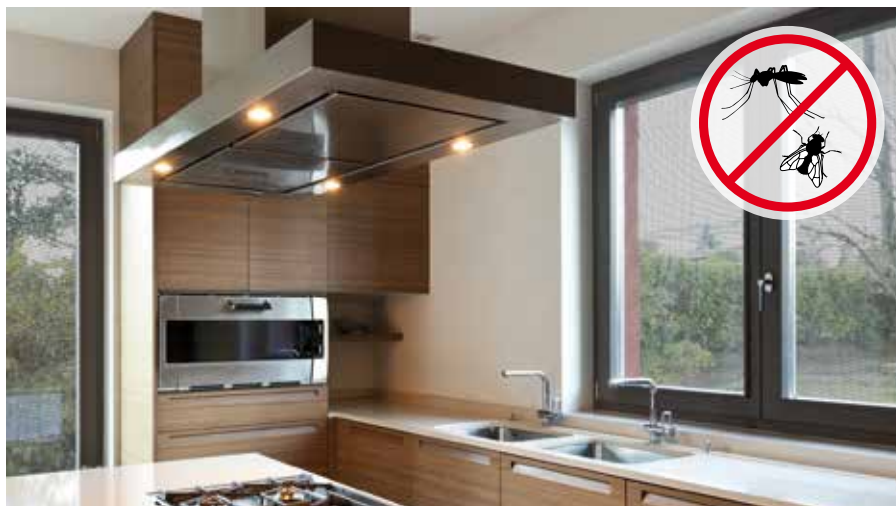


Channels of extruded aluminium with sealing gasket.

## THE FIXED INSECT SCREEN

# MRS

INSECT SCREEN  
SYSTEMS



### Functionality

The system of framed mosquito screens excellently protects rooms against insects. The frame can be fixed using internal aluminum corner joints of a snap or screw type. The offer also includes external plastic corner joints in various colors. The system is compatible with most window profiles. Fixing brackets are offered in five sizes.

### Construction details

The frame profile is made of strong extruded aluminum with a modern shape and powder coated surface. The profile is offered in two versions: with a "fin" abutting the window frame and without the "fin", with a place for a brush weatherseal, used for a fully enclosed window frame.

### Comfortable operation

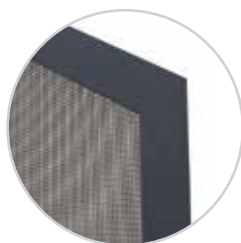
The framed mosquito screen is installed on the external side of the window frame. With the use of noninvasive rotary joints, the screen can quickly and easily be mounted and dismounted, while keeping the full functionality of the windows.

### User properties

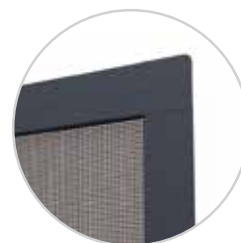
The well-thought out design of the mosquito screen and properly selected materials provide effective protection against insects, without blocking the light and air.

### Color palette

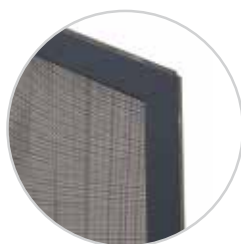
A wide range of standard colors will satisfy the most demanding customers. The color coats are applied with the following methods, depending on customer needs: powder coating and Decoral paints.



Frame with an internal corner joint.



Frame with an internal corner joint and side sealing.



Frame with an external plastic corner joint.



Frame with an external corner joint and side sealing.

## FIXED INSECT SCREEN SYSTEM

# MRSZ

INSECT SCREEN  
SYSTEMS



### Functionality

Fixed insect screen system MRSZ is designed for use on flushed aluminium windows. The screens are highly aesthetic and are supplemented by high quality details. This solution is perfectly suited for the balcony door. In rooms where we need regular protection, such as bedroom, bathroom or child's room.

### Construction details

All of its components are made of extruded aluminium, which ensures resistance to weathering, and a reliable operation of the product for many years. The specially designed mosquito profile together with brush seal provides the full sealing of the window frame. Moreover, using of the joining profile let to obtain larger dimensions of the insect screens.

### Comfort operation

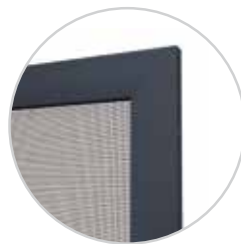
Installation of the MRSZ system is made at the external side of the window frame. Mounting clips help easily and quickly to set up and dismantle of the the insect screen from the windows frame keeping the functionality of the window.

### Advantages of application

The well-thought out design of the mosquito screen and properly selected materials provide effective protection against insects, without blocking the light and air. The screens are highly aesthetic and are supplemented by high quality details that guaranty its durability and resistance for many years of use.

### Colour scheme

A wide range of standard colors will satisfy the most demanding customers. The color coats are applied with the following methods, depending on customer needs: powder coating and Decoral paints.



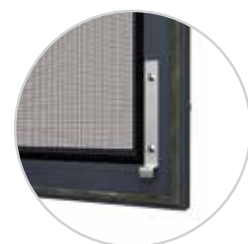
Frame with plastic inside corner (screwed or crimped).



Mounting clip helps to easily and quickly set the screen in the windows frame.



The upper hook allows for easy setting of the screen in the upper part of the frame, which is also equipped with a brush seal that provides full sealing.



The lower hook allows an easy setting of the screen in the bottom part of the frame.



**Functionality**

The roller shutter garage door can be mounted in already existing facilities as well as in those that are being built. One of the advantages of their application is the economy of space. The door operable in the vertical plane is a good solution when the driveway to the garage is short or comes directly from the street. It significantly improves the driver's safety, as the raised curtain of the door does not limit visibility.

**Construction details**

Depending on the overall dimensions and conditions of installation, it is possible to mount the roller shutter garage door on brackets and in a box. The door profiles are made of high-grade aluminium sheet. This sheet is covered with a two-layer varnish coat in the PU/PA system, characterised by enhanced resistance to abrasion and weather conditions. Due to the filling foam, the profiles feature good thermal and sound insulating performance. Sufficient amount of fresh air can be provided by application of ventilation profiles in the door curtain. You can also use glazed profiles to fill the interior with natural light. With regard to the manner of fitting a winding tube roller shutter garage door fall into two categories:

- sitting on brackets: BGR/KNB
- in a box: BGR/SK

**Comfort of operation**

The electrical drive allows for the use of a remote control. The radio-wave control allows the door to be opened and closed without the need to leave the car. It is

particularly useful in the evening, when it is raining, or in winter.

**Safety**

In accordance with the applicable standards, the roller shutter garage door is standard-equipped with the anti drop device. Can be retrofitted with protection against crushing when closing and motion sensing devices. In the event of power failure, the roller shutter garage door can be opened with the emergency manual drive. The electromagnetic brake of the roller shutter garage door drive and the locking hangers efficiently thwart any attempts to lift the curtain.

**Colour scheme**

A wide range of colours in the standard colour chart allows for meeting the requirements of the most demanding customers. The colour finish of the surface is applied by powder coating.

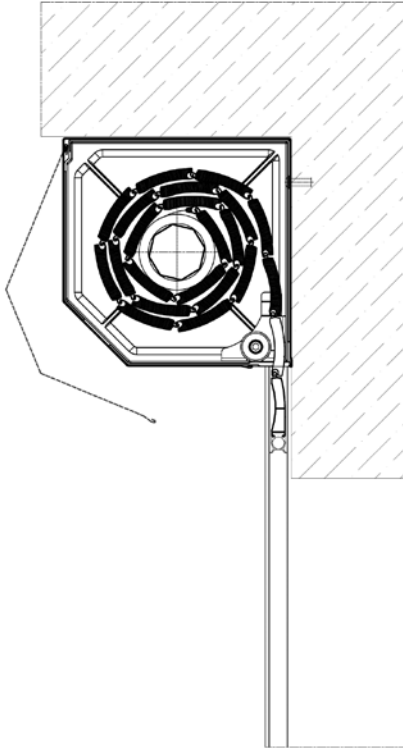
**Requirements**

Roller shutter garage doors of the ALUPROF systems have a Initial Type Testing, made by the notified body and rendered

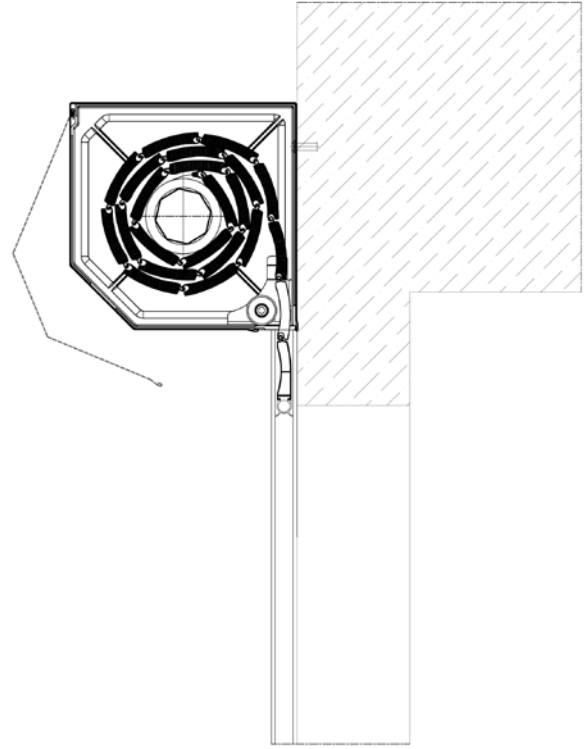


Gate system – installation examples

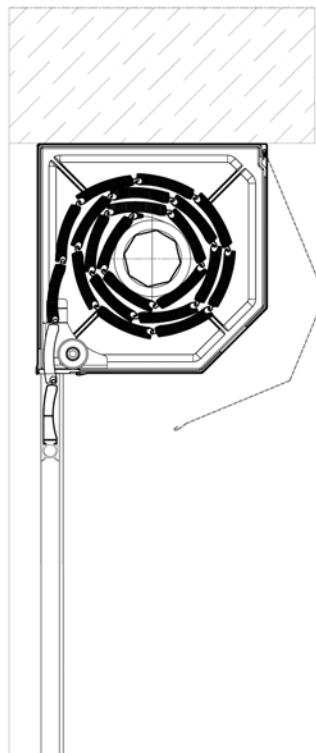
BGR/SK VARIANT 1



BGR/SK VARIANT 2

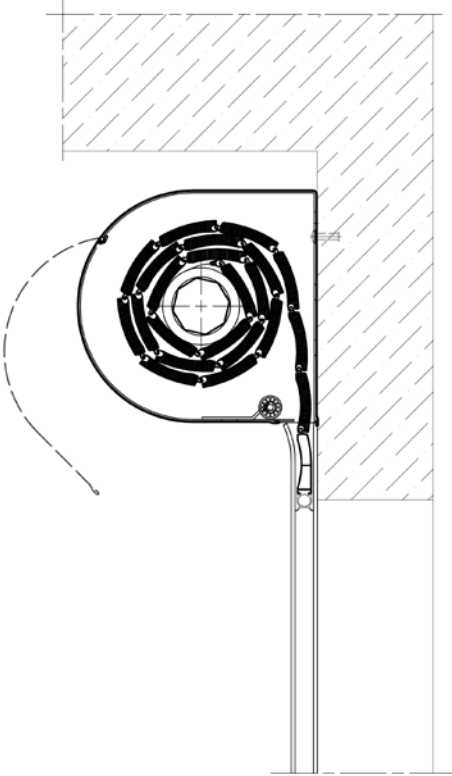


BGR/SK VARIANT 3

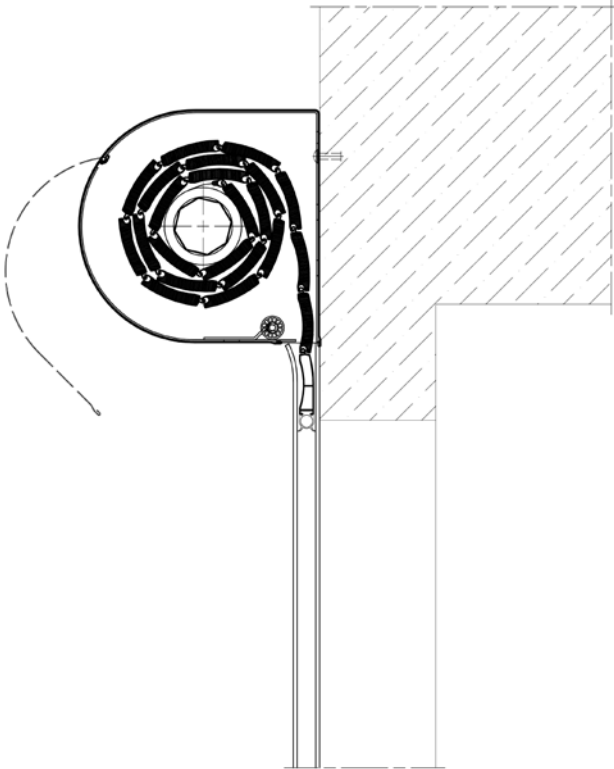


Gate system – installation examples

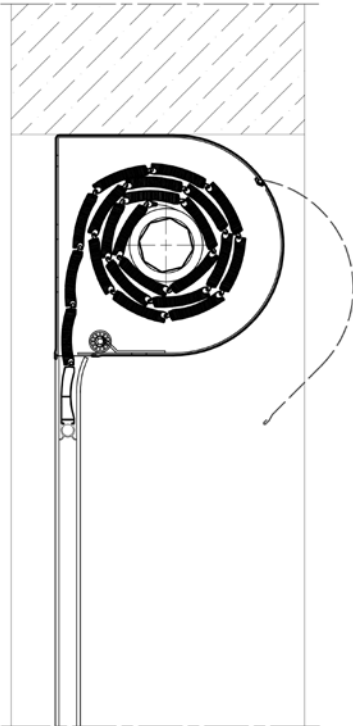
BGR/SKO-P VARIANT 1



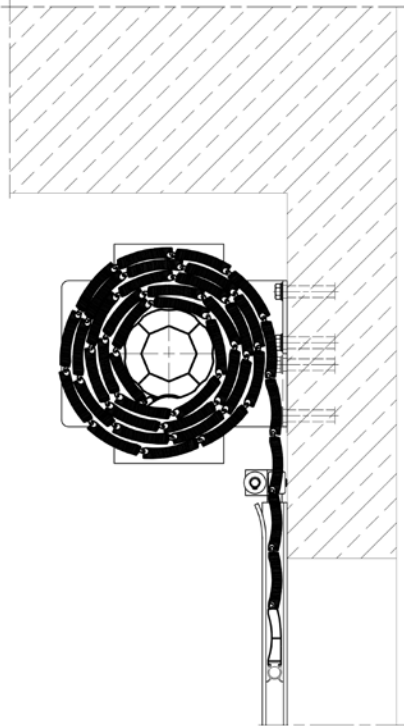
BGR/SKO-P VARIANT 2



BGR/SKO-P VARIANT 3



BGR/KNB



More examples on: [www.architects.aluprof.eu](http://www.architects.aluprof.eu)



#### Comfort of operation

Industrial roller shutter doors provide primary protection for building apertures in industrial halls, warehouses or commercial and serviceproviding buildings against unauthorised entry, break-ins or weather conditions. These are external doors, situated behind the opening of the building, inside the facility. They may also be utilized as internal doors.

#### Construction details

The door curtain is made of PE 100 extruded aluminium profile. The shape and thickness of its walls were selected so that the curtain made from it is stable and resistant to mechanical damage. Profiles and guide rails are powder coated in a wide range of RAL colours. The curtain is rolled up into a steel winding tube sitting on the brackets that are its support and bearings. For doors mounted within the area of the header, attention should be paid to the minimum height of the header that is required to mount the door. With regard to the type of applied brackets industrial roller shutter doors fall into two categories:

- sitting on travelling brackets: BPR/KNJ
- sitting on fixed brackets: BPR/KNS

#### Comfort of operation

The industrial roller shutter door can be mounted in already existing facilities, as well as in those that are being erected. The door operation is controlled with a switch located inside the building. When necessary, the radio-wave control or other selected combinations of control devices can also be applied to improve the

comfort of operation.

#### Safety

In accordance with applicable standards, the industrial roller shutter door is standardequipped with the anti drop device. Can be retrofitted with protection against crushing when closing and motion sensing devices. In the event of power failure, the roller shutter garage door can be opened with the emergency manual drive.

#### Colour scheme

A wide range of colours in the standard colour chart allows for meeting the requirements of the most demanding customers. The colour finish of the surface is applied by powder coating.

#### Requirements

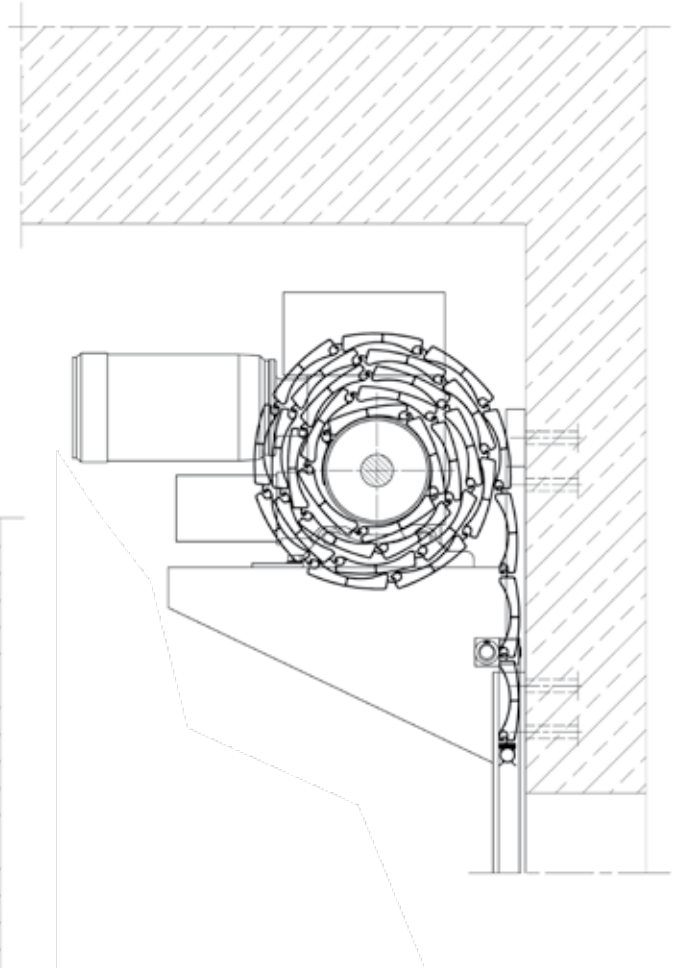
Industrial roller shutter doors of the ALUPROF systems have a Initial Type Testing, made by the notified body and rendered accessible recipients of systems.



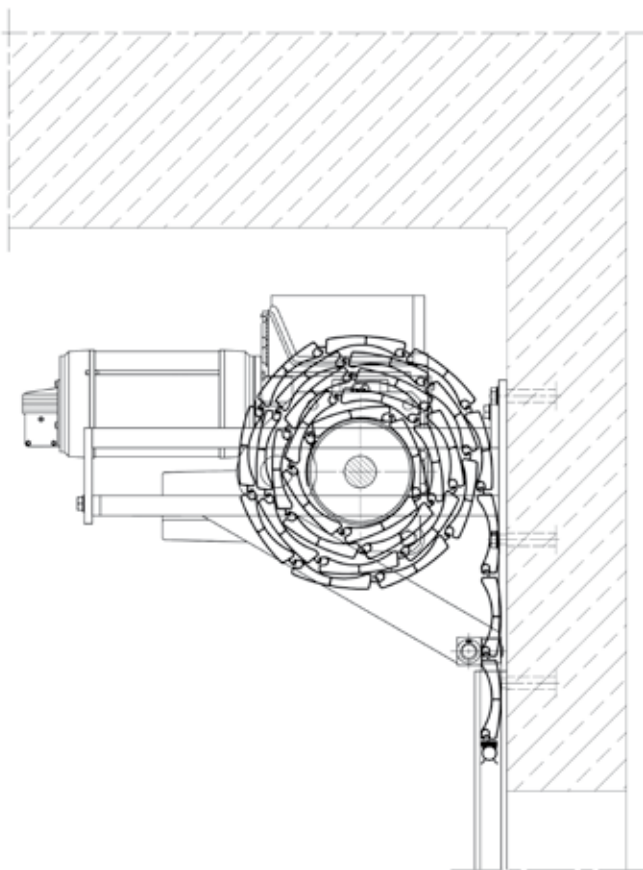


Industrial rolling gates – installation example

BPR/KNS



BPR/KNJ





### Functionality

The rolling grille can be mounted in already existing facilities as well as in those that are being erected. The basic function of the rolling grille grating is to protect the facility and at the same time to:

- present shop window displays;
- provide proper ventilation in shopping arcades and underground garages;
- use glazing in the grating profile as an additional protection against wind and other weather conditions.

### Construction details

Depending on the overall dimensions and conditions of installation, it is possible to mount the rolling grille on brackets and in a box. The door curtain is made of extruded aluminium PEK 52, PEK 77, PEK 80, PEK 100 or new PEKO grating profile. Profiles and guide rails are powder coated in a wide range of RAL colours. With regard to the manner of fitting a winding tube rolling grille falls into two categories:

- sitting on brackets: BKR/KNB,
- in a box: BKR/SK.

### Comfort of operation

The rolling grille is controlled with a switch placed inside or outside the facility. When necessary, the radio-wave control or other selected combinations of control devices can also be applied to improve the comfort of operation.

### Safety

In accordance with the applicable standards, the rolling grille is standard equipped with the anti drop device. Can be

retrofitted with protection against lifting, protection against crushing when closing and motion sensing devices. In the event of power failure, the rolling grille can be opened with the emergency manual drive. The electromagnetic brake of the grating drive and the locking hangers efficiently thwart any attempts to lift the curtain.

### Colour scheme

A wide range of colours in the standard colour chart allows for meeting the

requirements of the most demanding customers. The colour finish of the surface is applied by powder coating.

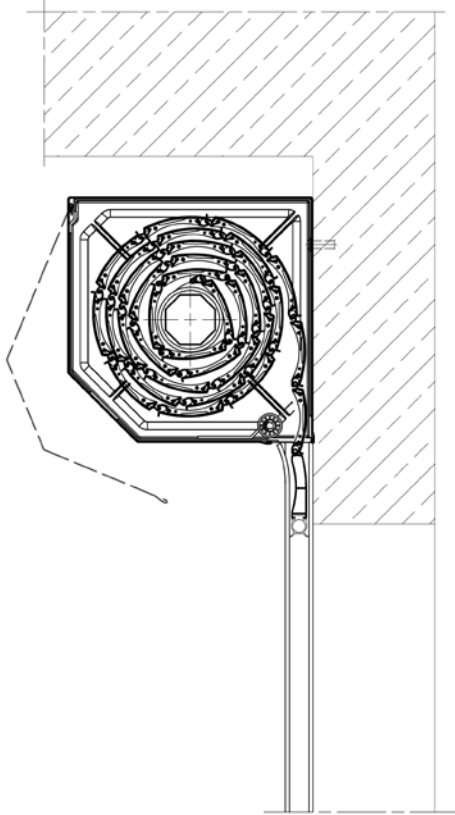
### Requirements

Rolling grilles of the ALUPROF systems have a Initial Type Testing, made by the notified body and rendered accessible recipients of systems.

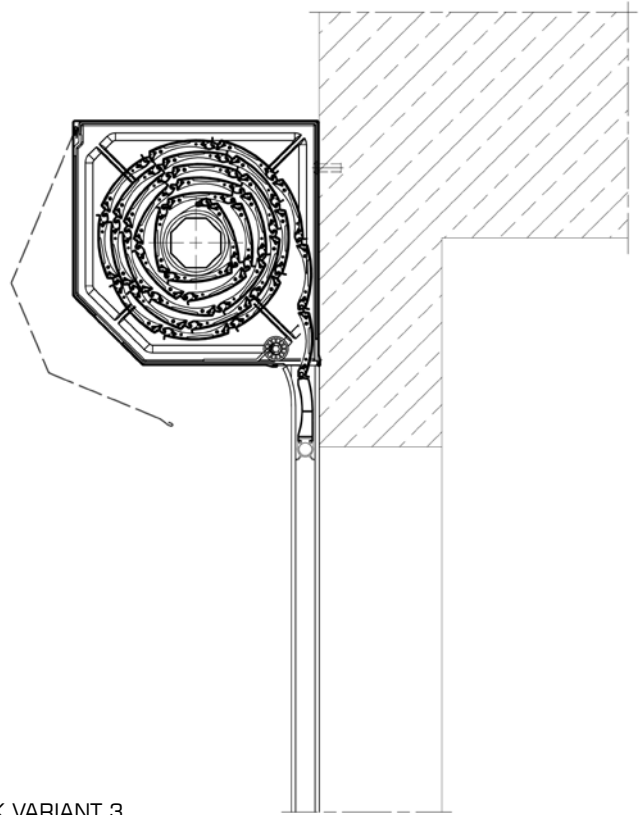


Commercial gate – installation example

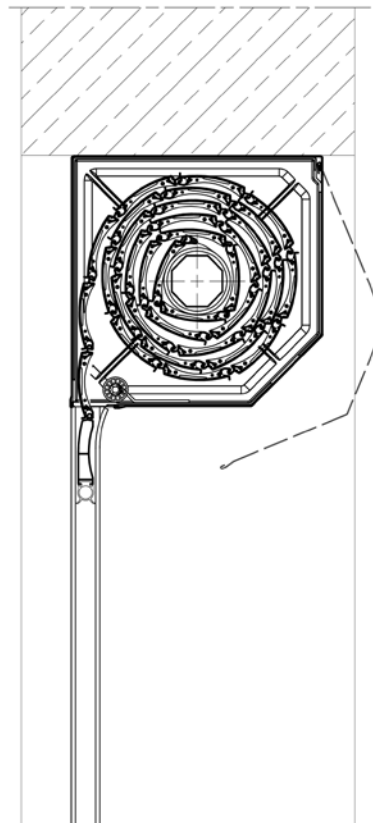
BKR/SK VARIANT 1



BKR/SK VARIANT 2



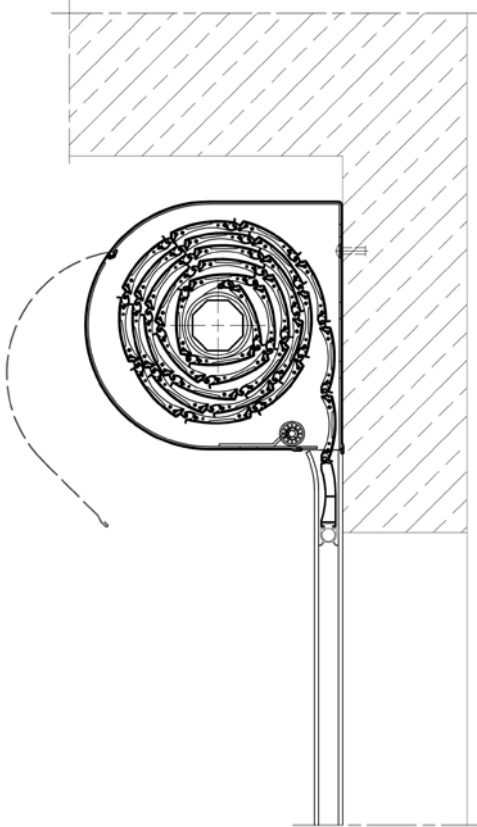
BKR/SK VARIANT 3



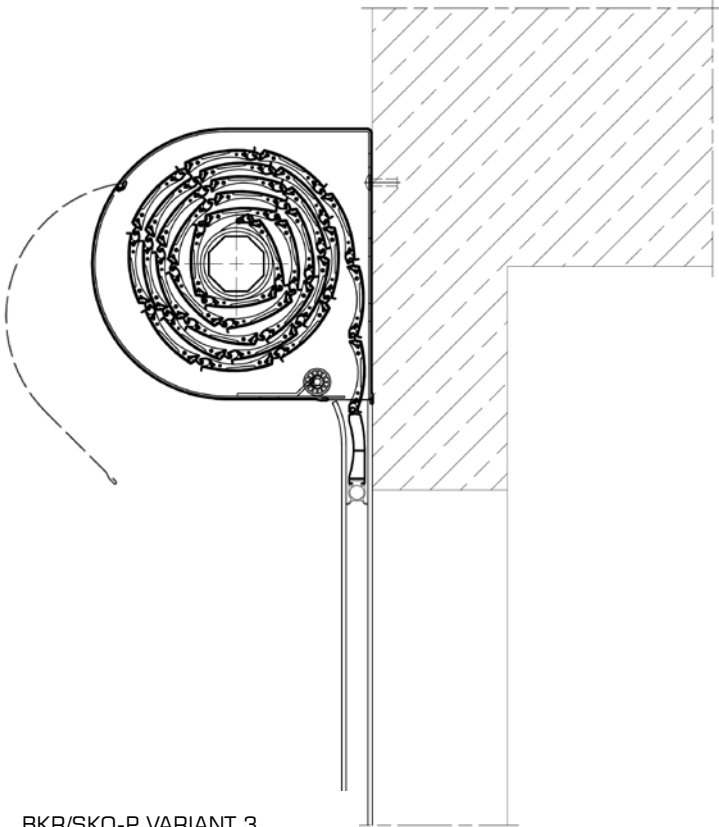
More examples on: [www.architects.aluprof.eu](http://www.architects.aluprof.eu)

Commercial gate – installation examples

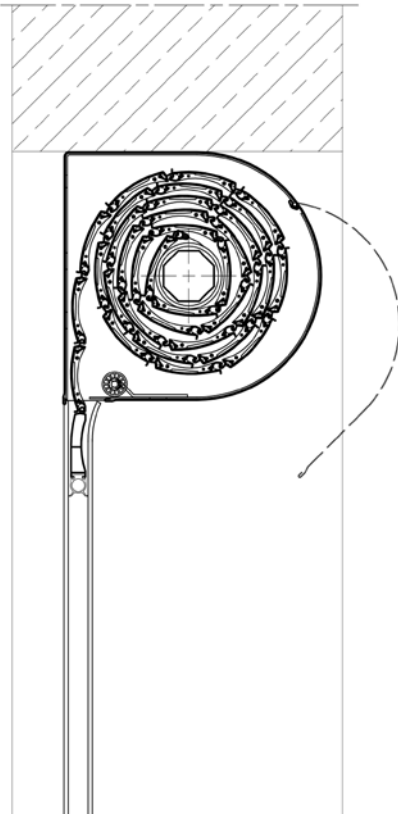
BKR/SKO-P VARIANT 1



BKR/SKO-P VARIANT 2

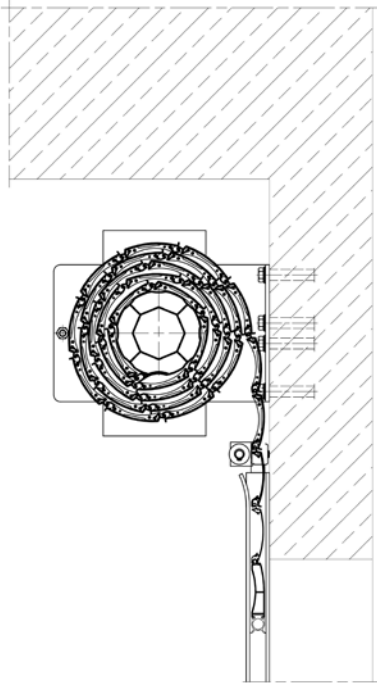


BKR/SKO-P VARIANT 3

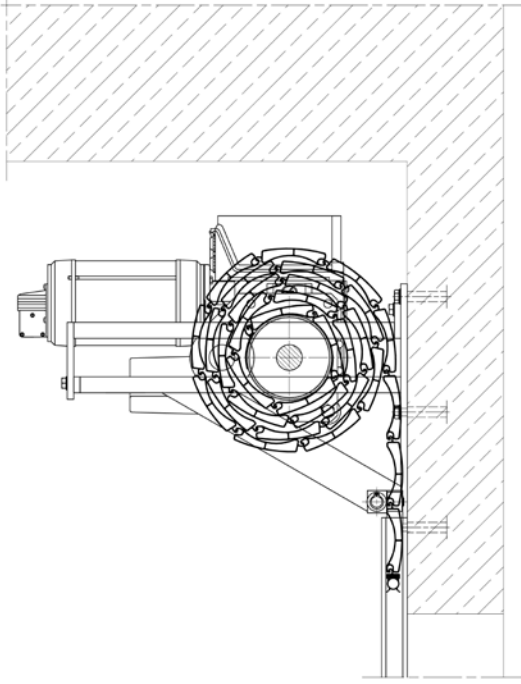


Commercial gate – installation examples

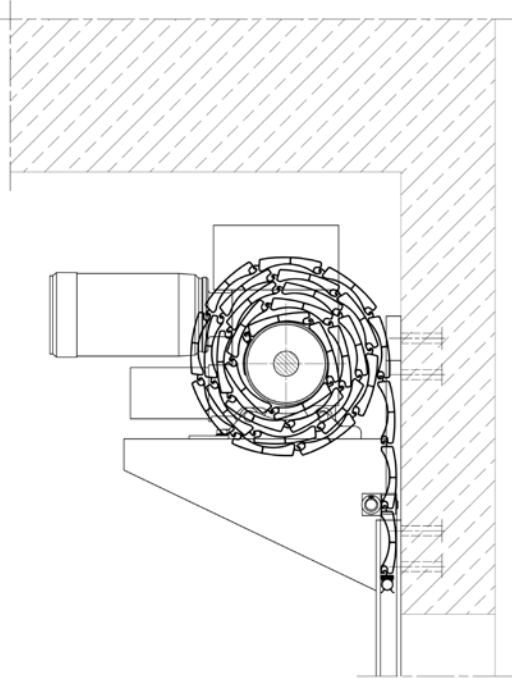
BKR/KNB



BKR/KNJ



BKR/KNS





**PT 37**  
Profile height: 37 mm  
Thickness: 8 mm



**PT 52**  
Profile height: 52 mm  
Thickness: 14 mm



**PA 37**  
Profile height: 37 mm  
Thickness: 8,5 mm



**PA 39**  
Profile height: 39 mm  
Thickness: 9 mm



**PA 40**  
Profile height: 40 mm  
Thickness: 8,7 mm



**PA 43**  
Profile height: 43 mm  
Thickness: 8,8 mm



**PA 45**  
Profile height: 45 mm  
Thickness: 9 mm



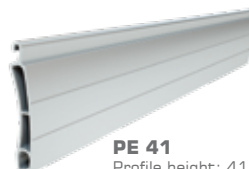
**PA 52**  
Profile height: 52 mm  
Thickness: 13 mm



**PA 55**  
Profile height: 55 mm  
Thickness: 14 mm



**PA 77**  
Profile height: 77 mm  
Thickness: 18,5 mm



**PE 41**  
Profile height: 41 mm  
Thickness: 8,5 mm



**PE 55**  
Profile height: 55 mm  
Thickness: 14 mm



**PE 100**  
Profile height: 100 mm  
Thickness: 25 mm



**PEK 52**  
Profile height: 52 mm  
Thickness: 13 mm



**PEKP 52**  
Profile height: 52 mm  
Thickness: 13 mm



**PEK 77**  
Profile height: 77 mm  
Thickness: 18,5 mm



**PEKP 77**  
Profile height: 77 mm  
Thickness: 18,5 mm



**PEK 80**  
Profile height: 80 mm  
Thickness: 18,5 mm



**PEKP 80**  
Profile height: 80 mm  
Thickness: 18,5 mm



**PEKO 80**  
Profile height: 80 mm  
Thickness: 18,5 mm



**PEK 100**  
Profile height: 100 mm  
Thickness: 25 mm



**PER 77**  
Profile height: 77 mm  
Thickness: 18,5 mm



**PEW 77**  
Profile height: 77 mm  
Thickness: 14,5 mm



**PER 100**  
Profile height: 100 mm  
Thickness: 25 mm

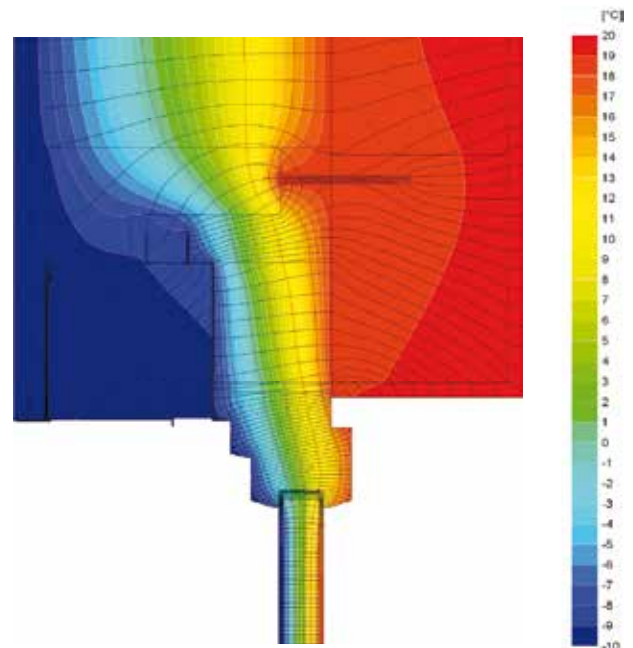


# CERTIFIED THE PASSIVE HOUSE INSTITUTE, DARMSTADT

We are pleased to announce that our roller-boxes SP/165 & SP-E/165 (SP and SP-E top-mounted systems) have obtained a component certificate from the Passive House Institute Darmstadt.

Passive House Institute, Darmstadt, issued a certificate for the roller-box in the size of 165 mm or lower (for both SP & SP-E top-mounted systems), thus approving the system and its installation as a solution for passive houses.

Suitable installation method enables the use of any window recommended by the PHI, i.e. windows whose heat transfer coefficient  $U_w$  does not exceed  $0.80 \text{ W}/(\text{m}^2\text{K})$ , and the glass coefficient  $U_g$  does not exceed  $0.70 \text{ W}/(\text{m}^2\text{K})$ . It is the first all-in-one solution for top-mounted roller shutter in the PHI passive components base, as well as the first certificate for a Polish company in this group of products.



Isothermal lines

SYSTEM

# MB-SUNSHADES

SHUTTER SYSTEM



MB-SUNSHADES provide solar shading and give the external wall its characteristic appearance. The solution consists of a frame with diagonally arranged slats or panels. Made of aluminium, the components are highly resistant to weather conditions and do not require any renovation work over years, which distinguishes them from products built with PVC or timber. Frame profiles are slim and light, but of an appropriate stiffness, which allows to fabricate both shutters for windows and patio doors.

## SHUTTERS BY ALUPROF PROTECTING AND EMBELLISHING YOUR HOME

Aluprof's shutters are an option for those who look for practical yet aesthetic solutions. The shutters can be colour matched with the external wall or with the windows or used simply as a remarkable accent on the wall. Given the ample possibilities offered by the technology of decorative and protective coatings made on aluminium, the MB-SUNSHADES are perfect for use in various types of construction: traditional buildings will successfully call for structures with timber-like texture, whereas in modern homes, a colour combination of a structure with muted colours, identical to those of the windows, especially impressive when windows and doors are made of aluminium, may be preferred.

The hinges available for this system allow to use different solutions when in closed position: they can be jutting out, flushed in line, or placed deeper in the window recess.

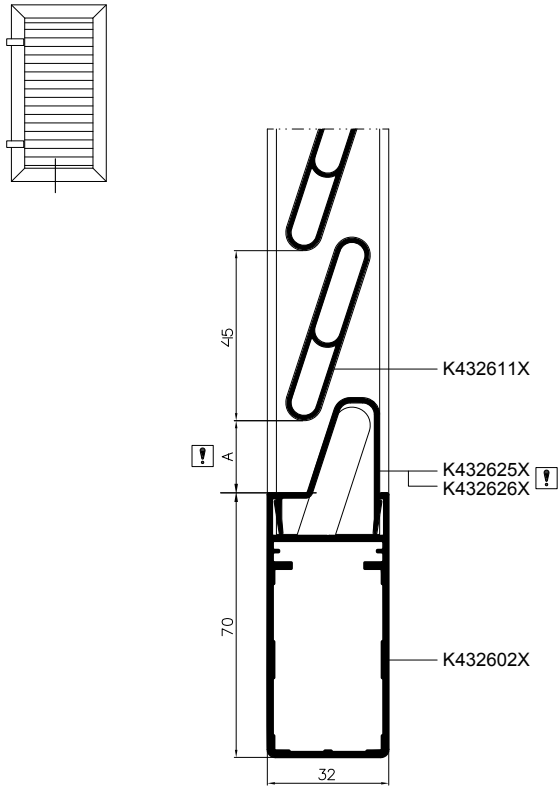


### TECHNICAL SPECIFICATION

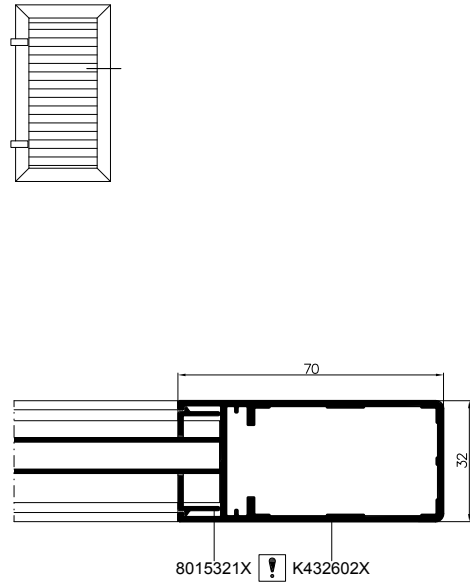
Profile dimensions	70 × 32 mm
Infill profiles depth	50 mm
Module (infill profiles distance)	every 45 mm
Maximum dimensions of the casement (H×L)	L to 1200 mm, H to 2500 mm



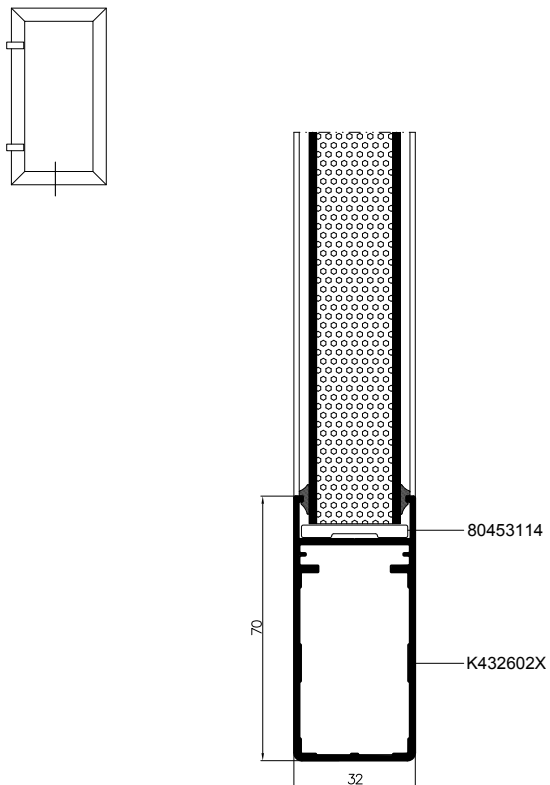
Louvres, vertical view



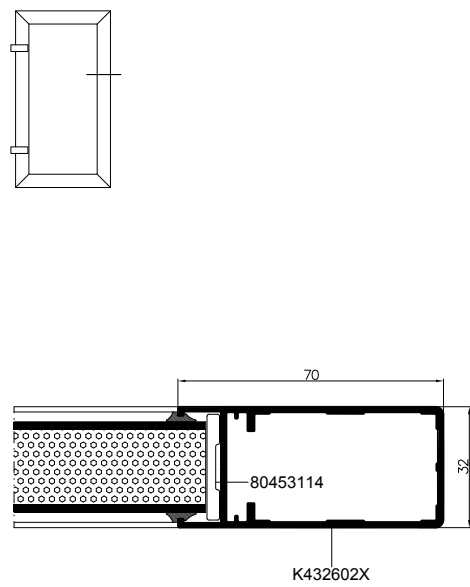
Louvres, horizontal view



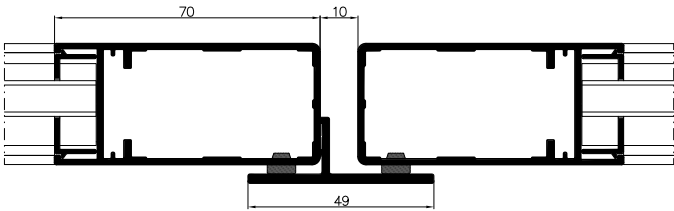
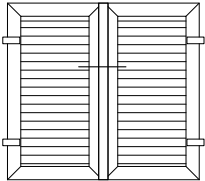
Paneled shutter, vertical view



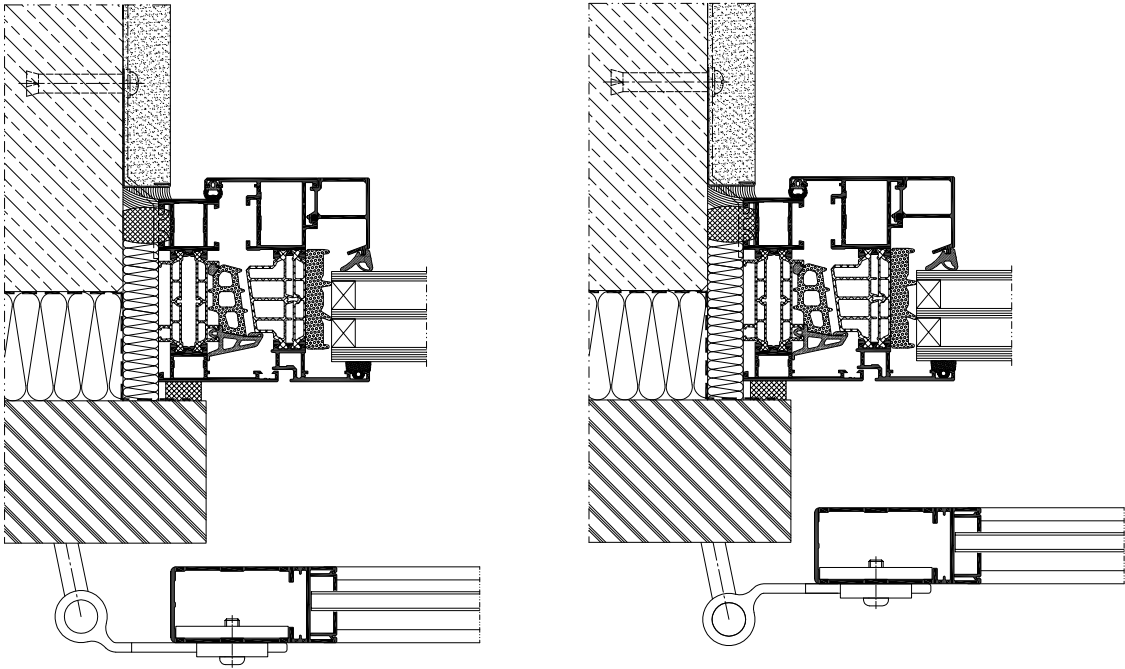
Paneled shutter, horizontal view



Casement with rebate, horizontal view



Construction examples



# TEXTILE SHUTTER SYSTEM SRT SPACE

TEXTILE  
SHUTTER SYSTEM



## Functionality

Textile shutter system SRT SPACE is a classic solution designed to shadow interiors of various purpose. Interior textile shutters are among the most popular shading solutions used not only in public utility buildings but also in private houses. Due to their practical nature they are becoming more common than traditional curtains or drapes.

## Construction details

An aesthetic shutter box made of extruded aluminium is equipped with an adaptive profile which allows its non-invasive installation and removal at any time. It is also possible to screw the side plates of the shutter box directly to the window surface using screws. A characteristic element of the system are aluminium spatial guide channels in the shape of C-profile. They are glued to the surface of the window frame so as not to obstruct the window opening using double-sided foam tape.

## Comfort of operation

The shutter SRT SPACE is provided with the self-locking mechanism with chain, which allows to stop the shutter at any height. The chain control system is very simple and does not require much effort. Chain guide secures the loop against free sagging.

## Advantages

The advantage of textile shutters is not only protection against intense sunlight, but also from the eyes of undesirable persons. Fabrics used in shutters also guarantee effective optical barrier for

light penetrating into the room. They eliminate reflections that can occur on computer screens or television sets. The proposed solution is also adapted

to use "day&night" fabrics (SRT SPACE D&N), which due to their structure allow for easy adjustment of light access.





### Functionality

Textile shutter system SRT FLAT is a modern solution, which can be installed in every interior and fulfils expectations of the most demanding users. These type of products not only protect against overheating the room, but also against the glare effect, which could occur, especially when working at the computer. Therefore, very often interior shutters are used in buildings where it is impossible to mount the external shutters.

### Construction details

A slim, streamlined shutter box made of extruded aluminium ensures the elegant design of the system. Its thoughtful design allows for a wider opening of windows with the shutter installed on the wing. Owing to the designed fin, the shutter box can be fixed using a special double-sided tape, or directly mounted to the window frame using screws. Flat system is equipped with flat aluminium guide channels, which are glued directly to the glazing beads. Their shape fits perfectly to the window woodwork, making the construction of shutters almost invisible.

### Comfort of operation

The shutter is provided with the self-locking mechanism with chain, which allows to stop the shutter at any height. Its installation of possible replacement is very fast and simple. Chain guide (tensioning mechanism) minimizes the risk of dangerous loops.

### Advantages

These products are the perfect combination of functional and aesthetic values. Owing to well selected fabric they can also constitute a stylish addition that will give a unique character to any interior. In addition, the shutters

effectively protect the interior against the intense sunlight but also from the eyes of undesirable persons. The shutters in SRT FLAT system are also adapted to use "day&night" fabrics (SRT FLAT D&N), which like the façade blinds allow for easy adjustment of light access.



# TEXTILE SHUTTER SYSTEM SRT FLAT MAXI

TEXTILE  
SHUTTER SYSTEM



## Functionality

The SRT FLAT MAXI textile roller blind system is an innovative solution designed to cover larger window areas and balcony doors. Certainly, this product will be perfect for modern interiors, where, in addition to its protective function, it will be a fashionable decorative element.

## Construction

The SRT SPACE shutter box was added to the construction of this solution, which was additionally equipped with a special masking profile that allowed to maintain the same shape of the shutter box as in the standard version FLAT. Thanks to the use of flat aluminium guide channels, it is possible to install the roller blind directly on the glazing bead, which makes the construction of the roller blind practically invisible. The SRT FLAT MAXI system has an innovative mechanism of strap adjustment for "day&night" fabrics. Thanks to this system, it is possible to adjust the convergence of the straps after closing the blind on the already installed application.

## Operation simplicity

The product is provided with the self-locking mechanism with chain, which allows stopping the blind at any height.

## Advantages

Due to their practical and aesthetic nature, roller blinds are becoming more common than traditional curtains or drapes. They have modern design and they are also easy to keep clean. Besides that, they take up little space making interiors

optically bigger. Roller blinds perfectly fit also to office buildings stressing individual character of each interior.



# TEXTILE SHUTTER SYSTEM SRT FREE

TEXTILE  
SHUTTER SYSTEM



## Functionality

Textile shutter system SRT FREE belongs to the family of the simplest and also the most commonly used means of shading. Simple and easy to install solution guarantees an appropriate shading of an interior, at the same time raising aesthetic values of any interior, due to application of a variety of fabrics.

## Construction details

It a shutter box free solution, designed to be directly installed on the window wing. Due to the specially designed non-invasive handles, installation of the system is extremely simple and does not require much effort. A characteristic feature of shutters in the FREE system is a string lead which, in contrast to this type of products available on the market is placed under the fabric. This aesthetic procedure allow to secure the string against catching while opening the window, which could cause its damage. The SRT FREE system features an innovative solution of string tensioning in the self-locking system. Durable and reliable design of this element allows for easy installation on a window wing.

## Comfort of operation

Self-locking mechanism with chain, used in the system allows to stop the shutter at any height. Its installation of possible replacement is very fast and simple. Tensioning mechanism minimizes the risk of hazardous loops, which can cause harm to children.

## Advantages

Simple and easy to install roller blinds provide adequate shading in the room. Due to the possibility of use of variety of fabrics, they ensure also the aesthetics

look of each interior. An option with "day&night" fabrics (SRT FREE D&N), which enables adjustment of the incoming light to complete darkness.



New terrace pergola  
**MB-OPENSKY 120**

*Perfect in every way*





ARCHITECTURAL PRODUCT GUIDE  
– sun protection, insects screens and garage doors  
edition 03-2023

Publisher ALUPROF SA  
[www.aluprof.com](http://www.aluprof.com)





Download the folder  
to your device

# ALUPROF

ALUMINIUM SYSTEMS

**HEAD OFFICE ALUPROF SA**, ul. Warszawska 153, 43-300 Bielsko-Biała, Poland  
Tel.: +48 33 81 95 300, Fax: +48 33 82 20 512, e-mail: [aluprof@aluprof.eu](mailto:aluprof@aluprof.eu)

**ALUPROF UK LTD**, tel. +44 161 941 4005, e-mail: [info@aluprof.co.uk](mailto:info@aluprof.co.uk)

**ALUPROF DEUTSCHLAND GMBH**, tel. +49 421 89 81 89 0, e-mail: [Kontakt@aluprof-deutschland.com](mailto:Kontakt@aluprof-deutschland.com)

**ALUPROF SYSTEMA UKRAINA OOO**, tel. +38 044 494 47 84, e-mail: [torg@aluprof.com.ua](mailto:torg@aluprof.com.ua)

**ALUPROF HUNGARY KFT**, tel. +36 27 542 600, e-mail: [aluprof@aluprof.hu](mailto:aluprof@aluprof.hu)

**ALUPROF SYSTEM ROMANIA SRL**, tel. + 40 374 004 594, e-mail: [aluminium@aluprof.ro](mailto:aluminium@aluprof.ro)

**ALUPROF SYSTEM CZECH SRO**, tel. +420 595 136 633, e-mail: [firma@aluprof.eu](mailto:firma@aluprof.eu)

**ALUPROF NETHERLANDS B.V.**, tel. +31 49 37 69 004, e-mail: [info@aluprof-nederland.nl](mailto:info@aluprof-nederland.nl)

**ALUPROF BELGIUM**, tel. +32 52 258 110, e-mail: [belgium@aluprof.eu](mailto:belgium@aluprof.eu)

**ALUPROF USA, LLC**, tel. 1 212 687 0300, e-mail: [info@aluprofusa.com](mailto:info@aluprofusa.com)